

Use and Care Manual
Manuel d'utilisation
Instrucciones de Operación

Microwave oven

Fours micro-ondes
Horno de Microondas

Models/Modèles/Modelos:
HMB8050 / HMB8060 / HMB8020

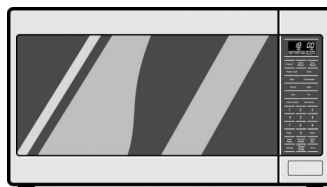


Table of Contents

About This Manual	4
How This Manual Is Organized	4
PRECAUTIONS TO AVOID POSSIBLE EXPOSURE TO EXCESSIVE MICROWAVE ENERGY	4
Safety	5
IMPORTANT SAFETY INSTRUCTIONS	5
Getting started	12
Control Panel	12
Parts and Accessories Included	13
Operation	14
Starting to Use Your Oven	14
Getting the Most Out of Your Appliance	16
Cleaning and Maintenance	38
Care and Cleaning of Your Microwave Oven	38
Maintenance	39
Service	41
Warranty	42

Questions?

1-800-944-2904

www.boschappliances.com

5551 McFadden Ave.
Huntington Beach, CA 92649

We look forward to hearing from you!

About This Manual

How This Manual Is Organized

This manual contains several sections:

- The *Safety* section describes important procedures that can ensure your safety while using the appliance.
- The *Getting Started* section describes the features and functionality of the appliance, including a description of how to set it up and operate it.
- The *Operation* section describes how to operate and get the best performance out of each component.
- The *Cleaning and Maintenance* section describes how to clean and maintain the appliance.
- The *Service* section includes troubleshooting tips and your warranty.

Before using your appliance, be sure to read this manual. Pay special attention to the *Important Safety Instructions* located at the beginning of the manual.



PRECAUTIONS TO AVOID POSSIBLE EXPOSURE TO EXCESSIVE MICROWAVE ENERGY

Do not attempt to operate this oven with the door open since open-door operation can result in harmful exposure to microwave energy. It is important not to defeat or tamper with the safety interlocks.

Do not place any object between the oven front face and the door or allow soil or cleaner residue to accumulate on sealing surfaces.

Do not operate the oven if it is damaged. It is particularly important that the oven door close properly and that there is no damage to the:

- door (bent)
- hinges and latches (broken or loosened)
- door seals and sealing surfaces.

The oven should not be adjusted or repaired by anyone except properly qualified service personnel.

Safety



IMPORTANT SAFETY INSTRUCTIONS

READ AND SAVE THESE INSTRUCTIONS

When using electrical appliances basic safety precautions should be followed, including the following:



WARNING: To reduce the risk of burns, electric shock, fire, injury to persons, or exposure to excessive microwave energy:

Read all instructions before using the appliance.

Read and follow the specific **“PRECAUTIONS TO AVOID POSSIBLE EXPOSURE TO EXCESSIVE MICROWAVE ENERGY”** found on page 4.

This appliance must be grounded. Connect only to properly grounded outlet. See **“GROUNDING INSTRUCTIONS”** found on page 8.

Install or locate this appliance only in accordance with the provided installation instructions.

Some products such as whole eggs with or without shell, narrow neck bottles and sealed containers – for example, closed glass jars – may explode and should not be heated in this oven.

Use this appliance only for its intended use as described in this manual. Do not use corrosive chemicals, vapors, or non-food products in this appliance. This type of oven is specifically designed to heat, or cook food. It is not designed for industrial or laboratory use. The use of corrosive chemicals in heating or cleaning will damage the appliance and may result in radiation leaks.

Do not allow children to use this appliance, unless closely supervised by an adult. Do not assume that because a child has mastered one cooking skill he/she can cook everything.

Do not operate this appliance if it has a damaged cord or plug, if it is not working properly, or if it has been damaged or dropped.

This appliance should be serviced only by qualified service personnel. Contact nearest authorized service facility for examination, repair, or adjustment.

Do not cover or block any openings on the appliance.

Do not store this appliance outdoors. Do not use this product near water – for example, near a kitchen sink, in a wet basement, near a swimming pool, or similar locations.

Do not immerse cord or plug in water

Keep cord away from heated surfaces.

Do not let cord hang over edge of table or counter.

- When cleaning surfaces of the door and oven that come together on closing the door, use only mild, non-abrasive soaps or detergents applied with a sponge or soft cloth.



IMPORTANT SAFETY INSTRUCTIONS

READ AND SAVE THESE INSTRUCTIONS

To reduce the risk of fire in the oven cavity:

- Do not overcook food. Carefully attend appliance when paper, plastic, or other combustible materials are placed inside the oven to facilitate cooking.
- Remove wire twist-ties from paper or plastic bags before placing bag in oven.
- If materials inside the oven ignite, keep oven door closed, turn oven off, and disconnect the power cord, or shut off power at the fuse or circuit breaker panel.
- Do not use the cavity for storage purposes. Do not leave paper products, cooking utensils, or food in the cavity when not in use.

Liquids, such as water, coffee, or tea could be overheated. They can be heated beyond the boiling point without appearing to boil. For example, visible bubbling or boiling when the container is removed from the microwave oven is not always present. THIS COULD RESULT IN VERY HOT LIQUIDS SUDDENLY BOILING OVER WHEN THE CONTAINER IS DISTURBED OR A UTENSIL IS INSERTED INTO THE LIQUID.

To reduce the risk of injury to persons:

- Do not overheat the liquid.
- Stir the liquid both before and halfway through heating.
- Use extreme care when inserting a spoon or other utensil into the container.
- Do not use straight sided containers with narrow necks.
- After heating, allow the container to stand in the microwave oven for a short time before removing.

Do not operate the oven while empty. This could damage the oven and result in a risk of fire.

Do not dry clothes, newspapers or other materials in the oven. Do not use newspapers or paper bags for cooking. Fire could result.

Do not use recycled paper products unless labeled safe for microwave use. They may contain impurities which may cause sparks and result in fires when used.

Always use potholders when removing items from the oven. The cooking container and the Ceramic Tray can be hot even if the oven is cool.

To avoid the risk of shock:

- Do not remove outer panel from oven. Repairs must be done only by a qualified service person.

To reduce The risk of exposure to microwave energy:

- Do not tamper with, or make any adjustments or repairs to Door, Control Panel Frame, Safety Interlock Switches, or any other part of oven, microwave leakage may result.



IMPORTANT SAFETY INSTRUCTIONS

READ AND SAVE THESE INSTRUCTIONS

To Avoid the risk of fire:

1. Do not operate the oven empty. The microwave energy will reflect continuously throughout the oven causing overheating and damage, if food or water is not present to absorb energy.
2. Do not store flammable materials next to, on top of or in the oven.
3. Do not dry clothes, newspapers or other materials in the oven or use newspaper or paper bags for cooking.
4. Do not hit or strike Control Panel. Damage to controls may occur.
5. Do not use recycled paper products unless the paper product is labeled as safe for microwave oven use. Recycled paper products may contain impurities which may cause sparking.

To avoid the risk of scalding:

- Pot holders should always be used when removing items from the oven. Heat is transferred from the hot food to the cooking container and from the container to the Ceramic Tray. The Ceramic Tray can also be very hot after removing the cooking container from the oven.

Ceramic Tray

1. Do not operate the oven without the Roller Ring and the Ceramic Tray in place.
2. Do not operate the oven without the Ceramic Tray fully engaged on the drive hub. Improper cooking or damage to the oven could result. Verify that the Ceramic Tray is properly engaged and rotating by observing its rotation when you press Start. **Note:** The Ceramic Tray can turn in either direction.
3. Use only the Ceramic Tray specifically designed for this oven. Do not substitute any other Ceramic Tray.
4. If the Ceramic Tray is hot, allow to cool before cleaning or placing in water.
5. Do not cook directly on the Ceramic Tray. Always place food in a microwave safe dish, or on a rack set in a microwave safe dish.
6. If food or utensil on the Ceramic Tray touches oven walls, causing the tray to stop moving, the tray will automatically rotate in the opposite direction.

Roller Ring

1. The Roller Ring and oven floor should be cleaned frequently to prevent excessive noise.
2. Always replace the Roller Ring and the Ceramic Tray in their proper positions.
3. The Roller Ring must always be used for cooking along with the Ceramic Tray.

Oven Rack

Use these rack for Bake cooking to elevate food for proper heating. May also be used during microwave cooking. Do not use any type of metal containers for the Microwave mode. Metal containers will cause arcing during the microwave power mode.

Fan Motor Operation

After using the oven the fan motor rotates to cool the electric components. This is perfectly normal, and you can take out the food from the oven while the fan operates.

INSTALLATION & GROUNDING INSTRUCTIONS

Examine Your Oven

Unpack oven, remove all packing material and examine the oven for any damage such as dents, broken door latches or cracks in the door. Notify dealer immediately if oven is damaged. Do not install if oven is damaged.

Placement of Oven

1. The oven must be placed on a flat, stable surface. Place the front surface of the door three inches or more from the counter top edge to avoid accidental tipping of the microwave oven during normal use. For proper operation, the oven must have sufficient air flow. Allow 3-inches (7.6 cm) of space on both sides of the oven and 1-inch (2.5 cm) of space on top of the oven. Installation height is 36 inch (91.5 cm) from floor level.
 - Do not block air vents. If they are blocked during operation, the oven may be overheated and damaged.
 - Do not place oven near a hot, damp surface such as a gas or electric range, or dishwasher.
 - Do not operate oven when room humidity is excessive.
2. This oven is manufactured for household use only. It is not approved or tested for mobile vehicle, marine, or commercial use.

See the Warranty. If you have any questions, contact the manufacturer.

Installation

1. Do not block air vents. If they are blocked during operation, the oven may overheat. If the oven overheats, a thermal safety device will turn the oven off. The oven will remain inoperable until it has cooled.
2. If the oven is to be installed into a wall cabinet use the proper trim kit available from a local dealer (found on page 41.). Follow all instructions packed with the kit.



WARNING: Improper use of the grounding plug can result in a risk of electric shock.

Consult a qualified electrician or service person if the grounding instructions are not completely understood, or if doubt exists as to whether the appliance is properly grounded. If it is necessary to use an extension cord, use only a three wire extension cord that has a three prong polarized grounding plug, and a three slot receptacle that will accept the plug on the appliance. The marked rating of the extension cord should be equal to or greater than the electrical rating of the appliance.

Grounding Instructions

This appliance must be grounded. In the event of an electrical short circuit, grounding reduces the risk of electric shock by providing an escape wire for the electric current. This appliance is equipped with a cord having a grounding wire with a grounding plug. The plug must be plugged into an outlet that is properly installed and grounded.

- Plug into properly installed and grounded 3 prong outlet.
- Do not remove ground prong.
- Do not use an adapter.

Power Supply

1. A short power-supply cord is provided to reduce the risks resulting from becoming entangled in or tripping over a longer cord.
2. Longer cord sets or extension cords are available and may be used if care is exercised in their use. Do not let cord hang over edge of a table or counter.
3. If a long cord or extension cord is used,
the marked electrical rating of the cord set or extension cord should be at least as great as the electrical rating of the appliance,
the extension cord must be a grounding-type 3-wire cord, and
the longer cord should be arranged so that it will not drape over the countertop or tabletop where it can be pulled on by children or tripped over accidentally.

Wiring Requirements

1. The oven must be on a SEPARATE CIRCUIT. No other appliance should share the circuit with the microwave oven. If it does, the branch circuit fuse may blow or the circuit breaker may trip, or the food may cook slower than recommended in this manual.
2. The oven must be plugged into at least a 20 AMP, 120 VOLT, 60 Hz GROUNDED OUTLET.
Where a standard two-prong outlet is encountered, it is the personal responsibility and obligation of the consumer to have it replaced with a properly grounded three-prong outlet.
3. The VOLTAGE used must be the same as specified on this microwave oven (120 V, 60 Hz). Using a higher voltage is dangerous and may result in a fire or oven damage. Using a lower voltage will cause slow cooking. The dealer is not responsible for any damages resulting from the use of the oven with any voltage other than specified.

TV / Radio Interference

Operation of the microwave oven may cause interference to your radio, TV or similar equipment.

This appliance generates and uses ISM frequency energy. If not installed and used properly, in strict accordance with the manufacturer's instructions, it may cause interference to radio and television reception. It has been type tested and found to comply with limits for ISM equipment pursuant to part 18 of FCC rules, which are designed to provide reasonable protection against such interference in a residential installation. However, there is no guarantee that interference will not occur in a particular installation. Turn the appliance on and off to determine if it causes interference. Try the following to correct the interference:

- Clean door and sealing surface of the oven.
- Reorient the receiving antenna of the radio or television.
- Relocate the microwave oven with respect to the receiver.
- Move the microwave oven away from the receiver.
- Plug the microwave into a different outlet so that the oven and the receiver are on different branch circuits.

The manufacturer is not responsible for any radio or TV interference caused by unauthorized modification to this microwave oven. It is the responsibility of the user to correct such interference.

▲ SAFETY PRECAUTIONS

Follow These Safety Precautions When Cooking in Your Oven

Home canning / sterilizing / drying foods / small quantities of foods

- Do not use your combination oven for home canning or the heating of any closed jar. Pressure will build up and the jar may explode. In addition, the combination oven cannot maintain the food at the proper canning temperature. Improperly canned food may spoil and be dangerous to consume.
- Small quantities of food or foods with low moisture content can dry out, burn or catch on fire. If a fire occurs, turn oven off and leave oven door closed. Disconnect the power cord or shut off power at the fuse or circuit breaker panel.
- Do not dry meats, herbs, fruits or vegetables in your oven.

IMPORTANT

Proper cooking depends on time set and weight of food. If you use a smaller portion than recommended and cook at the time for the recommended portion, fire can result. If a fire occurs, turn oven off and leave oven door closed. Disconnect the power cord or shut off power at the fuse or circuit breaker panel.

Popcorn

- Popcorn must be popped in a microwave oven corn popper. Microwave popcorn which pops in its own package is also available. Follow popcorn manufacturers' directions and use a brand suitable for the wattage of your combination oven. Never leave oven unattended when popping popcorn.

CAUTION: When using pre-packaged microwave popcorn, follow recommended package instructions.

Check package weight before using the popcorn pad. Set the oven for the weight of the popcorn package.

If these instructions are not followed, the popcorn may not pop adequately or may ignite and cause a fire.

Deep fat frying

- Do not attempt to deep fat fry in your microwave oven. Oil can be heated beyond ideal temperatures very quickly in a microwave oven. Temperatures can climb high enough for the cooking oils to reach their respective flash points and burst into flames. The heated oil may bubble and spatter causing possible damage to the oven and perhaps resulting in burns. Additionally, microwave-safe utensils may not be able to withstand the temperature of the hot oil, and could result in the utensil shattering if it contains even a slight imperfection, scratch or chip.

Eggs

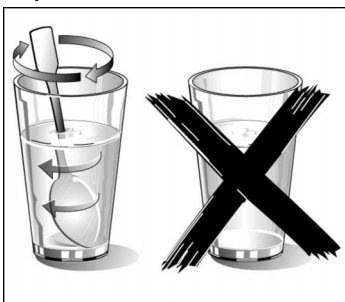
- Do not cook/reheat whole eggs, with or without the shell. Steam buildup in whole eggs may cause them to explode, and possibly damage the oven or cause injury. Reheating SLICED hard-boiled eggs and cooking SCRAMBLED eggs is safe.

Foods with nonporous skins

- Potatoes, apples, whole squash and sausages are examples of foods with nonporous skins. These types of foods must be pierced before microwave cooking to prevent them from exploding.

CAUTION: Cooking dry or old potatoes can cause fire.

Liquids



- Heated liquids can erupt if not mixed with air. Do not heat liquids in your microwave oven without first stirring.

Ceramic Tray / cooking utensils / foil

- Cooking utensils get hot during microwaving. Use potholders when removing utensils and Ceramic Tray from the oven or when removing lids or plastic wrap covers from cooking utensils to avoid burns.
- The Ceramic Tray will get hot during cooking. It should be allowed to cool before handling or before paper products, such as paper plates, napkins or microwave popcorn bags, are placed in the oven for microwave cooking.
- During cooking, heat is transferred from the hot food to the cooking utensil and from the utensil to Ceramic Tray. Ceramic Tray can be very hot after removing cooking utensils from oven.
- When using foil, warming rack or utensils made of metal in the oven, allow at least 1-inch (2.5 cm) of space between foil, metal material and interior oven walls or door. If arcing occurs (sparking) remove metal material (skewers etc.) and/or transfer to a non-metallic container.
- Dishes with metallic trim should not be used during Microwave or Combination cooking, arcing may occur.

Paper towels / cloths

- Do not use paper towels or cloths which contain a synthetic fiber woven into them. The synthetic fiber may cause the towel to ignite. Use paper toweling under supervision.
- Do not use paper bags or recycled paper products in the microwave oven.

Browning dishes / oven cooking bags

- Microwave browning dishes or grills are designed for microwave cooking only. Preheating times vary depending on the size of the browning dish and food being cooked. Always follow instructions provided by the browning dish or grill manufacturer. Do not preheat browning dishes more than 6 minutes.
- If an oven cooking bag is used for microwave cooking, prepare according to package directions. Do not use a wire twist-tie to close bag, instead use nylon ties, cotton string or a strip cut from the open end of the bag. Make six ½-inch slits by closure. Place oven cooking bag in a dish slightly larger than the food being cooked.

Thermometers

- Do not use a conventional meat thermometer for Microwave cooking. Arcing may occur. Do not use a microwave meat thermometer for Bake. It may melt.

Baby formula / Baby food

- Do not heat baby formula or food in the microwave oven. The glass jar or surface of the food may appear warm while the interior can burn the infant's mouth and esophagus.

Reheating pastry products

- When reheating pastry products, check temperatures of any fillings before eating. Some foods have fillings which heat faster and can be extremely hot while the surface remains warm to the touch (ex. Jelly Donuts).

General oven usage guidelines / Oven door

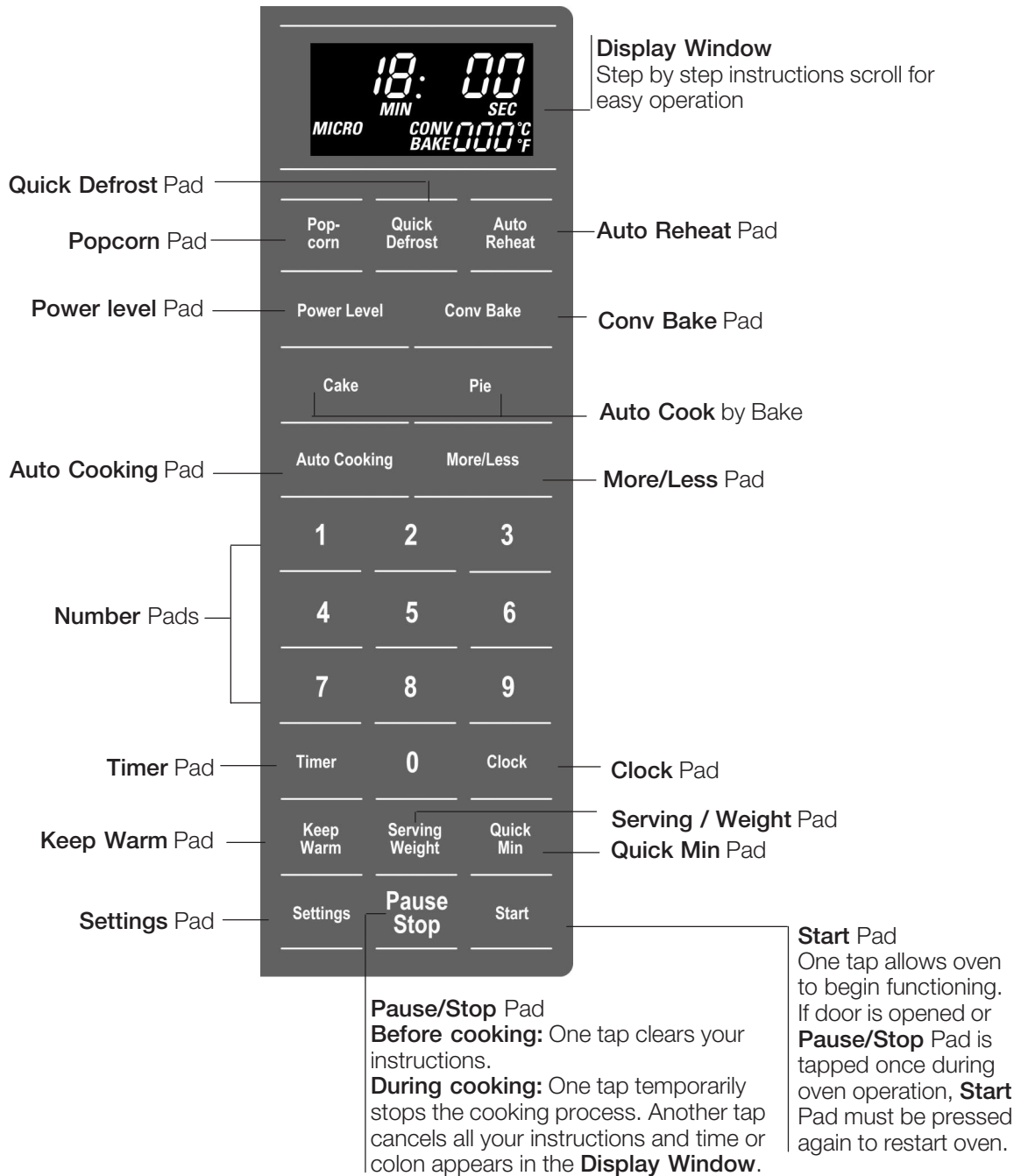
- Do not use the oven for any reason other than the preparation of food.
- Do not leave oven unattended while in use.
- The oven door and the interior walls will get hot during Bake.

Preparation of foods

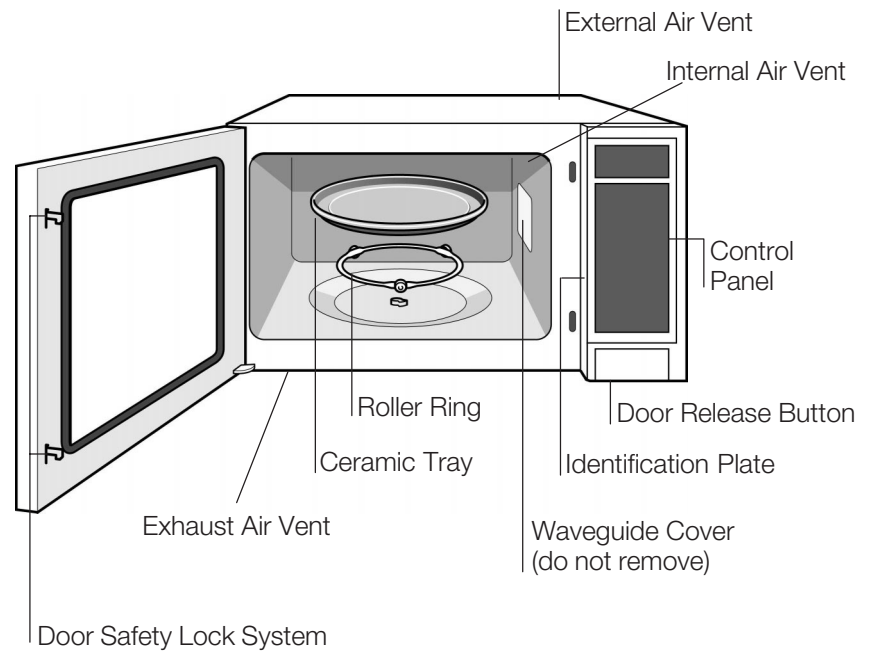
- The microwave is intended only for the preparation of foods. Other uses can be dangerous and cause damage. For example, warmed grains and grain kernels can ignite even after hours have passed. Fire danger!

Getting started

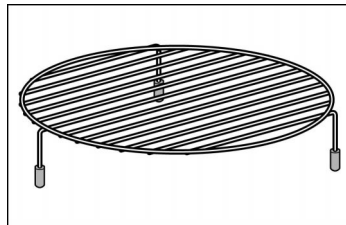
Control Panel



Parts and Accessories Included



Rack

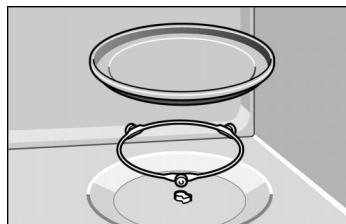


Roller Ring / Ceramic Tray

Place the Roller Ring correctly on the oven floor.

Place the Ceramic Tray exactly on Roller Ring.

Always use Roller Ring and Ceramic Tray in proper position.



Note: Beep Sound:

When a Pad is pressed correctly, a beep will be heard.

If a Pad is pressed and no beep is heard, the unit has not or cannot accept the instruction. The oven will beep twice between programmed stages. At the end of any complete program, the oven will beep 5 times. When the preheating cycle is complete, the oven will beep 3 times.

Operation

Starting to Use Your Oven

Note Before using for the first time, wash the interior with a soapy cloth, then operate the oven without food on Conv Bake for 20 minutes at 230 °C (450 °F). This will allow the oil that is used for rust protection to be burned off. The oven door and exterior will become hot. Please handle the door carefully.

Plug In Plug into a properly grounded electrical outlet.

Setting the clock

Example:
To set 11:25 a.m. or p.m.

1. Press **Clock** pad once.
Colon flashes.
2. Enter time of day (e.g. 11:25) using the number pads.
Time appears in the display window; colon continues flashing.
3. Press **Clock** pad.
Colon stops flashing, time of day is entered.

Notes

- To reset the clock, repeat 1 - 3.
- The clock will retain the time of day as long as the oven is plugged in and electricity is supplied.
- Clock is a 12 hour display.
- Oven will not operate while colon is flashing.

Settings

This unique function of your microwave oven allows you to establish the initial non-cooking features of your oven such as CHILD LOCK, WORD SPEED, LANGUAGE CHOICE (English, French or Spanish), plus many more.

1. Press **Settings**
2. Press selection by number pad. **0 to 9**
3. Press selection by number pad. **1 to 3.**

If other options are desired, repeat steps 1 - 3 for additional selections.

Settings

- 1 **Language choice**
The oven has English, French and Spanish displays. The display appears in English when you plug-in.
1. ENGLISH* Display appears in English
2. FRANCAIS Display appears in French.
3. ESPANOL Display appears in Spanish.
-
- 2 **lb/kg choice**
The oven has both imperial and metric weight measurements.
The oven displays the weight in imperial when you plug it in.
1. LB* Weight can be set in oz/lb, (Imperial).
2. KG Weight can be set in g/kg, (Metric).
-
- 3 **Word speed**
The speed of word scrolling on the Display Window can be sped up or slowed down.
1. QUICK Words scroll quickly.
2. MEDIUM* Scrolling speed returns to initial setting.
3. SLOW Words scroll slowly.
-
- 4 **Menu Action ON/OFF**
MENU ACTION SCREEN helps you program your oven by prompting the next step to be taken. When you become familiar with your oven, the prompt can be turned off.
1. ON* Prompting Guide will appear.
2. OFF Prompting Guide will not appear.
-
- 5 **Child Lock ON/OFF**
The oven has a Child Safety Lock feature which prevents use by children. It does not lock the door.
1. ON Child Lock has been set and operation modes will not be accepted.
2. OFF* Child Lock has been cancelled.
-
- 6 **Beep ON/OFF**
If you wish to have the oven operate with no beep, it can be eliminated.
1. ON* Beep sound will reactivate.
2. OFF Beep sound will not be heard.
-
- 7 **Reminder beep ON/OFF**
A reminder beep works to remind you to remove the food from the oven after the completion of cooking. It will occur every 15 seconds.
1. ON Reminder beep will work.
2. OFF* Reminder beep will not work.
-
- 8 **Daylight saving ON/OFF**
1. ON Time of day will advance one hour.
2. OFF* Time of day returns to original setting.
-
- 9 **Clock ON/OFF**
Clock display can be turned off.
1. ON* Clock display will appear in the Display Window.
2. OFF Clock display will not appear in the Display Window.
Time of day will be stored in memory even when the display is off.
-
- 0 **Demo Mode ON/OFF**
Demo mode is designed for retail store display. In this mode, the oven can be demonstrated without turning the oven on.
1. ON The oven is in Demo mode.
2. OFF* The oven is not in Demo mode.
-

* DEFAULT MODE

Getting the Most Out of Your Appliance

Selecting Power & Cook time

Select Power Level

Press	Power Level
once	P10 (HIGH)
twice	P9
3 times	P8
4 times	P7 (MED-HIGH)
5 times	P6 (MEDIUM)
6 times	P5
7 times	P4
8 times	P3 (MED-LOW)
9 times	P2 Defrost
10 times	P1 (LOW) Defrost

Example:
To cook at P6 (MEDIUM) power for 1 minute 30 seconds

1. Press **Power Level** (5 times) until the desired power level appears in the display window.
2. Set Cooking Time using number pads.
3. Press **Start**.
Cooking will start. The time in the display window will count down.

Notes

- For more than one stage cooking, repeat steps 1 and 2 for each stage of cooking before pressing **Start** Pad. The maximum number of stages for cooking is 3. When operating, two beeps will sound between each stage. Five beeps will sound at the end of the entire sequence.
- When selecting P10 (HIGH) power for the first stage, you may begin at step 2.
- When selecting P10 (HIGH) power, the maximum programmable time is 30 minutes. For other power levels, the maximum time is 99 minutes and 99 seconds.
- For reheating, use P10 (HIGH) for liquids, P7 (MED-HIGH) for most foods and P6 (MEDIUM) for dense foods.
- For defrosting, use P2 (MED-LOW) or P1 (LOW).

Do not over cook

This oven requires less time to cook than an older unit. Over cooking will cause food to dry out and may cause a fire. A microwave oven's cooking power tells you the amount of microwave power available for cooking.

Automatic features are provided for your convenience. If results are not suitable to your individual preference or if serving size is other than what is listed please cook by manual cooking (see above).

To Set Timer

This feature allows you to program the oven as a kitchen timer. It can also be used to program a standing time after cooking is completed and/or to program a delay start.

CAUTION: If oven lamp is lit while using the timer feature, the oven is incorrectly programmed. Stop oven immediately and re-read instructions.

To Use as a Kitchen Timer

Example:
To count down 5 minutes

1. Press **Timer** Pad.
2. Enter the length of time to be counted down.
(up to 99 minutes and 99 seconds).
3. Press **Start** Pad.
Time will count down without oven operating.

To set Delay Start
(2 or 3 programs)

e.g.

1. Press **Timer** Pad.
2. Enter 80 minutes (using number pads).
3. Press **P10**
4. Enter 5 minutes (using number pads).
5. Press **P6**
6. Enter 20 minutes (using number pads).
7. Press **Start** Pad.

To set Stand Time
(2 or 3 programs)

e.g.

1. Press **P3**
2. Enter 25 minutes (using number pads).
3. Press **Timer**.
4. Enter 7 minutes (using number pads).
5. Press **Start**.
Cooking will start. After cooking, stand time will count down without oven operating.

Quick Min Feature

This feature allows you to set or add cooking time in 1 minute increments up to 10 minutes.

To set Cooking Time

1. Press **Quick Min** until the desired cooking time (up to 10 minutes) appears in the display window. Power Level is pre-set at P10.
2. Press **Start**
Cooking begins and the time will count down. At the end of cooking, 5 beeps sound.

Notes

- If desired, you can use other power levels. Select desired power level before setting cooking time.
- After setting the time by **Quick Min** Pad, you cannot use Number Pads.
- **Quick Min** Pad can be used to add more time during manual cooking.

Keep Warm Feature

This feature will keep food warm for up to 30 minutes after cooking.

Example:
To keep 2 cups of gravy warm

1. Press **Keep Warm** Pad
 2. Set warming time, up to 30 minutes.
 3. Press **Start**.
Keep Warm will start. The time in the display window will count down.
- **Keep Warm** can be programmed as the final stage after cook time/s have been manually entered. It cannot be used in combination with auto features.

Note

Popcorn Feature

Press	Weight
once	3.5 oz (99 g)
twice	3.0 oz (85 g)
3 times	1.75 oz (50 g)

Example:
To pop 3.5 oz. of popcorn

1. Press **Popcorn** Pad until the desired size appears in the display window.
(Optional you can use the **More/Less** Pad, refer to More/Less feature).
2. Press **Start**.
After several seconds, cooking time appears in the display window and begins to count down.

Notes on Popcorn Feature

- Pop one bag at a time.
- Place bag in oven according to manufacturers' directions.
- Start with popcorn at room temperature.
- Allow popped corn to sit unopened for a few minutes.
- Open bag carefully to prevent burns, because steam will escape.
- Do not reheat unpopped kernels or reuse bag.

Note

If popcorn is of a different weight than listed, follow instructions on popcorn package. **Never leave the oven unattended.** If popping slows to 2 to 3 seconds between pops, stop oven. **Overcooking can cause fire.**

Remarks

When popping multiple bags one right after the other, the cooking times may vary slightly. This does not affect the popcorn results.

More/Less Feature

For Popcorn

By using **More/Less** Pad, the programs can be adjusted to cook popcorn for a longer or shorter time if desired.

1 tap	adds approx. 10 secs.
2 taps	adds approx. 20 secs.
3 taps	subtracts approx. 10 secs.
4 taps	subtracts approx. 20 secs.
5 taps	original setting

Press **More/Less** Pad before pressing **Start**.

Auto Reheat

Preferences for food doneness vary with each individual. After having used the **Auto Reheat** feature a few times, you may decide you would prefer your food cooked to a different doneness.

1 tap	More (adds approx. 10% time)
2 taps	Less (subtracts approx. 10% time)
3 taps	original setting

Press **More/Less** Pad before pressing **Start**.

Quick Defrost Feature

This feature allows you to defrost foods such as: meat, poultry and seafood simply by entering the weight.

Follow the chart to convert ounces or hundredths of a pound into tenths of a pound. To use Quick Defrost, enter the weight of the food in lbs. (1.0) and tenths of a lb. (0.1). If a piece of meat weighs 1.95 lbs. or 1 lb. 14 oz., enter 1.9 lbs.

Conversion Chart

Ounces	Hundredths of a Pound	Tenths of a Pound
0	.01 - .05	0.0
1 - 2	.06 - .15	0.1
3 - 4	.16 - .25	0.2
5	.26 - .35	0.3
6 - 7	.36 - .45	0.4
8	.46 - .55	0.5
9 - 10	.56 - .65	0.6
11 - 12	.66 - .75	0.7
13	.76 - .85	0.8
14 - 15	.86 - .95	0.9

Example:
To defrost 1.5 pounds of meat

Place food on microwave safe dish.

1. Press **Quick Defrost** Pad.
2. Enter weight of the food using the number pads.
3. Press **Start**.

Defrosting will start. The time will count down. Larger weight foods will cause a signal midway through defrosting. If 2 beeps sound, turn over, rearrange foods or shield with aluminium foil.

Notes

- The recommended maximum weight for meat is 4 lb (1.8 kg); poultry 6 lb (2.7 kg) and seafood 3 lb (1.4 kg).
- The weight for Quick Defrost can be programmed to up to 6 lb (3.0 kg).
- Power and time may be programmed after Quick Defrost.

Defrosting Tips & Techniques

Preparation For Freezing

- Freeze meats, poultry and fish in packages with only 1 or 2 layers of food. Place wax paper between layers.
- Package in heavy-duty plastic wraps, bags (labeled "For Freezer"), or freezer paper.
- Remove as much air as possible.
- Seal securely, date, and label.

To Defrost

- Remove wrapper. This helps moisture to evaporate. Juices from food can get hot and cook the food.
- Set food in microwave safe dish.
- Place roasts fat-side down. Place whole poultry breast-side down.
- Select power and minimum time so that items will be under-defrosted.
- Drain liquids during defrosting.
- Turn over (invert) items during defrosting.
- Shield edges and ends if needed.

After Defrosting

- Large items may be icy in the center. Defrosting will complete during standing time.
- Let stand, covered.
- Rinse foods indicated in the chart.
- Items which have been layered should be rinsed separately or have a longer stand time.

Bake with Time Selection

This feature offers a choice of bake temperatures from 100 °C to 230 °C in 10 °C increments (or from 200 °F to 450 °F in 25 °F increments).

Most baked items require preheating the oven.

Place the Oven Rack on the Ceramic Tray. Follow these steps.

Note

Before using the Bake function for the first time, wash the interior with a soapy cloth, then operate the oven without food on Bake for 20 minutes at 230 °C (450 °F). This will allow the oil that is used for rust protection to be burned off.

The oven door and exterior will become hot during Bake. Please handle the door carefully.

Example: Bake

1. Press **Bake** Pad to select the desired oven temperature.

2. Press **Start** Pad.

Preheating will start.

- During preheating, "P" appears in the display. Do not open the door.
- When preheating is completed, the oven will beep three times and "P END" will appear in the screen.
- If the oven door is not opened after preheating, the selected temperature will be maintained for 30 minutes. After 30 minutes, the oven will shut off automatically and beep five times.

Example: 30 minutes

3. After preheating, place food in the oven.

4. Set the baking time 30 minutes (up to 5 hours).

5. Press **Start** Pad.

Baking will start.

Notes:

- For recipes that do not require preheating, eliminate step 2.
- When the selected cooking time is less than one hour, the time counts down second by second.
- When the selected cooking time is over than one hour, the time counts down minute by minute until 1 hour remains. The timer will then count down second by second.
- Press **Bake** Pad during preheating or baking to display the temperature you programmed.

To Use Auto Reheat (by Microwave)

Example:
To reheat 2 servings of casserole

This feature allows you to reheat 1 to 4 servings of precooked room temperature and refrigerator temperature foods without setting power and time.

1. Press Auto Reheat Pad twice.
Until the desired number of servings appears in the display window.
Optional you can use the **More/Less** Pad, refer to More/Less feature).
2. Press **Start** Pad.
Cooking begins and the time will count down.

Press Auto Reheat pad to indicate number or servings	Average Serving Size	Time
once	4-6 oz.	will vary depending on size and wattage of oven
twice	8 oz.	
3 times	12 oz.	
4 times	16 oz.	

Note: For best results, follow these recommendations:

1. All foods must be previously cooked.
2. Foods should always be covered loosely with plastic wrap, wax paper or casserole lid.
3. All foods should have a covered stand time of 3 to 5 minutes.
4. Do not reheat bread and pastry products using Auto Reheat. Use manual power and time instead.
5. Do not reheat beverages.
6. Times are based on an approximate serving size of 4 oz.
7. A plate of food is normally 3-4 servings.

To Use Auto Cooking (by Microwave)

1. Press **Auto Cooking** Pad.
2. Select your desired menu by number pads (1~9)
3. Select **Serving/Weight** Pad.
Optional you can use the **More/Less** Pad, refer to More/Less feature).
4. Press **Start** Pad.

Pad Auto Cooking	Recipe	Serving/Weight	Ovenware	Hints
1	Oatmeal	½ cup, 1 cup	tall microwave-safe serving bowl	Oatmeal foams a lot during cooking. Therefore, use a tall dish without a lid. Select the weight of the uncooked oatmeal (without liquid). Place inside a microwave-safe serving bowl with no cover. Follow manufacturer's directions for preparation.
2	Beverages	1 cup, 2 cups	microwave-safe cup	Do not cover. Stir after cooking.
3	Soup	1 cup, 2 cups	microwave-safe serving bowl	Pour soup into a microwave-safe serving bowl. Do not cover. Stir after cooking.

Pad Auto Cooking	Recipe	Serving/Weight	Ovenware	Hints
4	Frozen entree	8 oz., 10 oz., 20 oz., 32 oz.	microwave-safe serving bowl with lid or vented plastic wrap	Follow manufacturer's directions for preparation. After 2 beeps, stir or rearrange. Be careful when removing the film cover after cooking. Remove facing away from you to avoid steam burns. If additional time is needed, continue to cook manually.
5	Potatoes	1-4 pcs (6-8 oz. each)	flat microwave-safe dish without lid	Use Potatoes of equal size. Pierce each potato with a fork spaced evenly around the surface. Place potato or potatoes around the edge of glass tray (turntable), at least 1 inch apart. Do not cover. Let stand 5 minutes to complete cooking.
6	Fresh vegetables	4 oz., 8 oz., 12 oz., 16 oz.	tall microwave-safe dish with lid or vented plastic wrap	All pieces should be the same size. Wash thoroughly, add 1 tbsp water per ½ cup of vegetables and cover with lid or vented plastic wrap. Do not salt/butter until after cooking.
7	Frozen vegetables	6 oz., 10 oz., 16 oz.	tall microwave-safe dish with lid or vented plastic wrap	This program is only suitable for blanched, and not precooked, vegetables. Wash thoroughly, add 1 tbsp water per ½ cup of vegetables and cover with lid or vented plastic wrap. Do not salt/butter until after cooking. Not suitable for vegetables in butter or sauce. After 2 beeps, stir or rearrange.
8	Rice	½ cup, 1 cup, 1½ cups	tall microwave-safe serving bowl with lid or vented plastic wrap	Rice foams a lot during cooking. Therefore, use a tall dish with a lid. Do not use boil-in-the-bag rice. Add two to two and a half times the amount of liquid to the rice. Place rice with hot tap water in a microwave-safe casserole dish. Cover with lid or vented plastic wrap. Let stand 5 to 10 minutes before serving.
9	Fish fillets	4 oz., 8 oz., 12 oz., 16 oz.	flat microwave-safe dish with lid or vented plastic wrap	Arrange in single layer. Cover with lid or vented plastic wrap.

Standing time

Meal	Standing time
Vegetables	approx. 5 min.
Potatoes	approx. 5 min, strain the remaining water
Rice	5 - 10 min.

Auto Cooking menu

1	2	3	4
Feature Auto Cooking	1. Oatmeal	½ cup 1 cup	Start
	2. Beverages	1 cup 2 cups	
	3. Soup	1 cup 2 cups	
	4. Frozen Entrees	8 oz/225 g 10 oz/300 g 20 oz/600 g 32 oz/900 g	
	5. Potatoes (6-8 oz.)	1 2 3 4	
	6. Fresh Vegetables	4 oz/110 g 8 oz/225 g 12 oz/340 g 16 oz/450 g	
	7. Frozen Vegetables	6 oz/170 g 10 oz/300 g 16 oz/450	
	8. Rice (withe)	½ cup 1 cup 1½ cups	
	9. Fish Fillets	4 oz/110 g 8 oz/225 g 12 oz/340 g 16 oz/450 g	

To Use Auto Cook by Bake

This feature allows you to bake cake or pie without having to select oven temperature and baking time.

Example: Cake

1. Select desired category.
e.g. Cake.

2. Press **Start** Pad.
Cooking will start.

Note

- If you wish to adjust the baking time, press **More/Less** Pad before pressing **Start** Pad.

- Will not bake chocolate fudge, brownies or fruit cake recipes.

- Do not use frozen pie crust.

- Place frozen pies on a small cookie sheet.

- The categories are further divided as follows:

Cake	1st tap	Cake 1 for cake recipes that bake conventionally in less than 28 minutes.
	2nd tap	Cake 2 for cake recipes that bake conventionally in 28 minutes to 49 minutes.
	3rd tap	Cake 3 for cake recipes that bake conventionally in 50 minutes or more.

(A) Refer to cake mix box for recommended baking time, or to personal recipe for cake made from scratch ingredients.

(B) **Auto Cook** by **Bake** key does not require preheating of the convection oven.

Pie	1st tap	Fresh Pie for Double-crust pies with fresh fillings
	2nd tap	Frozen Pie for Double-crust pies that are frozen
	3rd tap	Precooked Pie for Double crust pies with pre-cooked or canned pie filling.

To Use More/Less Pad

After having used One Touch Cooking a few times, you may prefer your food cooked to a different degree. By using **More/Less** Pad, programs can be adjusted to cook food for a longer or shorter time. If you are satisfied with the result of the programs, you don't need to use **More/Less** Pad. Press **More/Less** Pad before pressing **Start** Pad. The words "**More**" or "**Less**" will appear in the screen when **More/Less** Pad is pressed.

Food Characteristics

Bone and Fat

Both bone and fat affect cooking. Bones may cause irregular cooking. Meat next to the tips of bones may overcook while meat positioned under a large bone, such as a ham bone, may be undercooked. Large amounts of fat absorb microwave energy and the meat next to these areas may overcook.

Density

Porous, airy foods such as breads, cakes or rolls take less time to cook than heavy, dense foods such as potatoes and roasts. When reheating donuts or other foods with different centers be very careful. Certain foods have centers made with sugar, water, or fat and these centers attract microwaves (For example, jelly donuts). When a jelly donut is heated, the jelly can become extremely hot while the exterior remains warm to the touch. This could result in a burn if the food is not allowed to cool properly in the center.

Quantity

Two potatoes take longer to cook than one potato. As the quantity of the food decreases so does the cooking time. Overcooking will cause the moisture content in the food to decrease and a fire could result. Never leave microwave unattended while in use.

Shape

Uniform sizes heat more evenly. The thin end of a drumstick will cook more quickly than the meaty end. To compensate for irregular shapes, place thin parts toward the center of the dish and thick pieces toward the edge.

Starting Temperature

Foods that are at room temperature take less time to cook than if they are chilled, refrigerated, or frozen.

Cooking Techniques

Piercing

Foods with skins or membranes must be pierced scored or have a strip of skin peeled before cooking to allow steam to escape. Pierce clams, oyster, chicken livers, whole potatoes and whole vegetables. Whole apples or new potatoes should have a 1-inch strip of skin peeled before cooking. Score sausages and frankfurters. Do not Cook/Reheat whole eggs with or without the shell. Steam build up in whole eggs may cause them to explode, and possibly damage the oven or cause injury. Reheating SLICED hard-boiled eggs and cooking SCRAMBLED eggs is safe.

Spacing

Individual foods, such as baked potatoes, cupcakes and appetizers, will cook more evenly if placed in the oven equal distances apart. When possible, arrange foods in a circular pattern.

Covering

As with conventional cooking, moisture evaporates during microwave cooking. Casserole lids or plastic wrap are used for a tighter seal. When using plastic wrap, vent the plastic wrap by folding back part of the plastic wrap from the edge of the dish to allow steam to escape. Loosen or remove plastic wrap as recipe directs for stand time. When removing plastic wrap covers, as well as any glass lids, be careful to remove them away from you to avoid steam burns. Various degrees of moisture retention are also obtained by using wax paper or paper towels.

Shielding

Thin areas of meat and poultry cook more quickly than meaty portions. To prevent overcooking, these thin areas can be shielded with strips of aluminium foil. Wooden toothpicks may be used to hold the foil in place.

CAUTION: is to be exercised when using foil. Arcing can occur if foil is too close to oven wall or door and damage to your oven will result.

Cooking time

A range of cooking time is given in each recipe. The time range compensates for the uncontrollable differences in food shapes, starting temperature, and regional preferences. Always cook food for the minimum cooking time given in a recipe and check for doneness. If the food is undercooked, continue cooking. It is easier to add time to an undercooked product. Once the food is overcooked, nothing can be done.

Stirring

Stirring is usually necessary during microwave cooking. Always bring the cooked outside edges toward the center and the less cooked center portions toward the outside of the dish.

Rearranging

Rearrange small items such as chicken pieces, shrimp, hamburger patties, or pork chops. Rearrange pieces from the edge to the center and pieces from the center to the edge of the dish.

Turning

It is not possible to stir some foods to distribute the heat evenly. At times, microwave energy will concentrate in one area of the food. To help insure even cooking, these food need to be turned. Turn over large foods, such as roasts or turkeys, halfway through cooking.

Stand Time

Most foods will continue to cook by conduction after the microwave oven is turned off. In meat cookery, the internal temperature will rise 5 °F to 15 °F (3 °C to 8 °C), if allowed to stand, tented with foil, for 10 to 15 minutes. Casseroles and vegetables need a shorter amount of standing time, but this standing time is necessary to allow foods to complete cooking to the center without overcooking on the edges.

Test for Doneness

The same tests for doneness used in conventional cooking may be used for microwave cooking. Meat is done when fork-tender or splits at fibers. Chicken is done when juices are clear yellow and drumstick moves freely. Fish is done when it flakes and is opaque. Cake is done when a toothpick or cake tester is inserted and comes out clean.

About food Safety and cooking temperature

Check foods to see that they are cooked to the United States Department of Agriculture's recommended temperatures.

TEMP FOOD

160 °F ...for fresh pork, ground meat, fish, seafood, egg dishes and frozen prepared food.

165 °F ...for leftover, ready-to-reheat refrigerated, and deli and carryout "fresh" food.

180 °F ...poultry

To test for doneness, insert a meat thermometer in a thick or dense area away from fat or bone. NEVER leave the thermometer in the food during cooking, unless it is approved for microwave oven use.

Cookware Guide

Item	Microwave	Comments
Aluminium Foil	yes for shielding only	Small strips of foil can be molded around thin parts of meat or poultry to prevent overcooking. Arcing can occur if foil is too close to oven wall or door and damage to your oven will result.
Browning Dish	yes	Browning dishes are designed for microwave cooking only. Check browning dish information for instructions and heating chart. Do not preheat for more than 6 minutes.
Brown paper bags	no	May cause a fire in the oven.
Dinnerware: Labeled "Microwave Safe"	yes	Check manufacturers' use and care directions for use in microwave heating. Some dinnerware may state on the back of the dish, "Oven-Microwave Safe".
Unlabeled Dinnerware	no	Use CONTAINER TEST on page 29.
Disposable polyester Paperboard Dishes	yes	Some frozen foods are packaged in these dishes. Can be purchased in grocery stores.
Fast Food Carton with Metal Handle	no	Metal handle may cause arcing.
Frozen Dinner Tray Metal	no	Metal can cause arcing and damage to your oven.
Frozen Dinner Tray Microwave safe	yes	Heat only 1 tray in the oven at one time.
Glass Jars	no	Most glass jars are not heat resistant. Do not use for cooking or reheating.
Heat Resistant Oven Glassware & Ceramics	yes	Ideal for microwave cooking and browning. (See CONTAINER TEST on page 29).
Metal Bakeware	no	Not recommended for use in microwave ovens. Metal can cause arcing and damage to your oven.
Metal Twist-Ties	no	May cause arcing which could cause a fire in the oven.

Item	Microwave	Comments
Oven Cooking Bag	yes	Follow manufacturers' directions. Close bag with the nylon tie provided, a strip cut from the end of the bag, or a piece of cotton string. Do not close with metal twist-tie. Make six ½-inch (1 cm) slits near the closure.
Paper Plates & Cups	yes	Use to warm cooked foods, and to cook foods that require short cooking times such as hot dogs.
Paper Towels & Napkins	yes	Use to warm rolls and sandwiches, only if labeled safe for microwave use.
Recycled Paper Towels & Napkins	no	Recycled paper products may contain impurities which may cause sparks.
Parchment Paper	yes	Use as a cover to prevent spattering. Safe for use in microwave, microwave/convection and conventional ovens.
Plastic: Microwave Safe Cookware	yes, use caution	Should be labeled, "Suitable for Microwave Heating". Check manufacturers' directions for recommended uses. Some microwave safe plastic containers are not suitable for cooking foods with high fat or sugar content. The heat from hot food may cause the plastic to warp.
Plastic, Melamine	no	This material absorbs microwave energy. Dishes get HOT!
Plastic Foam Cups	yes, use caution	Plastic foam will melt if foods reach a high temperature. Use to reheat foods to a low serving temperature only.
Plastic Wrap	yes	Use to cover food during cooking to retain moisture and prevent spattering. Should be labeled "Suitable for Microwave Heating". Check package directions.
Straw, Wicker, Wood	yes, use caution	Use only for short term reheating and to bring food to a low serving temperature. Wood may dry out & split or crack when used.
Thermometers- Microwave safe	yes	Use only microwave safe meat and candy thermometers.
Thermometers- Conventional	no	Not suitable for use in microwave oven, will cause sparks and get hot.
Wax paper	yes	Use as a cover to prevent spattering and to retain moisture.

Container Test

To test a container for safe microwave oven use

Fill a microwave safe cup with cool water and place it in the microwave oven alongside the empty container to be tested; **heat one (1) minute at P10 (HIGH)**. If the container is microwave oven safe (transparent to microwave energy), the empty container should remain comfortably cool and the water should be hot. If the container is hot, it has absorbed some microwave energy and should NOT be used. This test cannot be used for plastic containers.

Tables and tips

This table contains a selection of dishes and the optimum settings at which to cook them. You can use the table to look up which microwave setting, type of heating, and temperature are most suitable for your dish, and which accessories to use.

Defrosting, heating up and cooking with the microwave

The following tables provide you with numerous options and adjustment values for the microwave.

The times specified in the tables are only guidelines. They may vary according to the ovenware used, the quality, temperature, and consistency of the food.

Time ranges are often specified in the tables. Set the shortest time first and then extend the time if necessary.

It may be that you have different quantities from those specified in the tables.

A rule of thumb can be applied:

double the amount – double the cooking time,

half the amount – half the cooking time.

Place the ovenware in the center of the ceramic tray. The food will absorb the microwaves from all sides.

Defrosting

- Place the frozen food in an open container on the ceramic tray.
- Delicate parts such as the legs and wings of chicken or fatty outer layers of roasts can be covered with small pieces of aluminum foil. The foil must not touch the oven walls. You can remove the foil halfway through the defrosting time.
- Turn or stir the food once or twice during the defrosting time. Large pieces of food should be turned several times. Turn to remove any liquid that results from defrosting.
- Leave defrosted items to stand at room temperature for a further 10 minutes to 1 hour so that the temperature can even out. The giblets can be removed from poultry at this point.

	Amount	Power	Approx. defrosting time	Ovenware	Hints
Whole pieces of meat, e.g. beef, pork, veal with or without bones	2 lb	P2	14 min.	flat dish	
		P1	15 - 20 min.		
Diced or sliced beef, pork, and veal	1 lb	P2 P1	6 min. 11 - 16 min.	flat dish	turn twice to remove loose pieces of meat.
Mixed ground meat	1 lb	P2	8 min.	flat dish	turn once to remove loose pieces of meat.
		P1	10 - 13 min.		
	2 lb	P2	10 - 12 min.	flat dish	turn twice to remove loose pieces of meat.
		P1	25 - 30 min.		
Poultry	2.6 lb	P2	23 - 27 min.	flat dish	turn after ½ of the cook time.
		P1	25 - 30 min.		
	3.5 lb	P2	20 - 26 min.	flat dish	turn several times.
		P1	25 - 30 min.		
Poultry portions	1.8 lb	P2 P1	10 min. 18 - 20 min.	flat dish	turn several times.
Filet of fish, fish steak, fish slices	14 oz.	P2	5 - 7 min.	flat dish	turn after ½ of the cook time
		P1	12 - 17 min.		
	2 lb	P2	4 - 6 min.	flat dish	turn after ½ of the cook time
		P1	18 - 22 min.		

	Amount	Power	Approx. defrosting time	Ovenware	Hints
2 whole fish apiece	9 oz.	P2 P1	4 min. 12 - 16 min.	flat dish	turn after ½ of the cook time.
Fruit, e.g. raspberries	9 oz.	P2	6 - 8 min.	flat dish	
	1 lb	P2 P1	6 - 8 min. 9 - 12 min.	flat dish	
Bread, whole loaf	1 lb	P2 P1	3 min. 4 - 8 min.	turntable	turn once
	2 lb	P2 P1	5 - 7 min. 10 - 14 min.	flat dish	turn once
Cakes dry, e.g. sponge cakes	1 lb	P2 P1	3 min. 5 - 10 min.	turntable	turn twice

Defrosting, heating up, and cooking frozen foods

Take ready-made meals out of their packaging. They will heat up more quickly and evenly if you place them in microwavable dishes. Different parts of the meal may heat up at different rates.

Food that is laid flat heats up quicker than if it is piled high. Therefore, it is best to spread out the food so that it lies flat in the container. You should not place layers of food on top of each other.

Always cover the food. If you do not have a suitable lid for your dish, use a plate or special microwave foil.

You should stir or turn the food two to three times during heating.

Once you have heated up the meals, leave them to stand for another 2 to 5 minutes so that the temperature can stabilize.

The individual taste of the food is retained to a large degree. You can therefore use less salt and spices.

	Amount	Power	Approx. cooking time	Ovenware	Hints
Menu, one-course meal, ready-made meal in two to three parts	12 - 16 oz	P5	10 - 17 min.	dish with lid	turn/stir if necessary after half the cook time
Soups	1 lb	P8	8 - 12 min.	tall dish	stir after half the cook time
Stews	1 lb	P8	8 - 10 min.	dish with lid	stir twice
	2 lb	P8	15 - 19 min.	dish with lid	stir three times
Slices or pieces of meat in sauce	1 lb	P8	7 - 10 min.	dish with lid	stir twice
	2 lb	P8	16 - 20 min.	dish with lid	stir three times
Fish, e.g. fillets	14 oz	P6	11 - 13 min.	flat dish with lid	add 2-3 tbsp water
Side dishes, e.g. rice, noodles	6 oz	P6	3 - 6 min.	flat dish with lid	add 1 tbsp water, stir once
	8 - 9 oz	P6	4 - 7 min.	flat dish with lid	add 1 tbsp water, stir once
Vegetables, e.g. peas, broccoli, and carrots	10 - 11 oz.	P6	9 - 13 min.	tall dish with lid	add 2-3 tbsp water, stir twice
	1.3 lb	P6	13 - 18 min.	tall dish with lid	add 2-3 tbsp water, stir twice

Heating food

Take ready-made meals out of their packaging. They will heat up more quickly and evenly if you place them in microwavable dishes. Different parts of the meal may heat up at different rates.

Liquids, such as water, coffee or tea could be overheated. They can be heated beyond the boiling point without appearing to boil. For example, there is not always visible bubbling or boiling when the container is removed from the microwave oven. THIS COULD RESULT IN VERY HOT LIQUIDS SUDDENLY BOILING OVER WHEN THE CONTAINER IS DISTURBED OR A UTENSIL IS INSERTED INTO THE LIQUID.



WARNING: Heated liquids can erupt if not mixed with air. Do not heat liquids in your microwave oven without first stirring them. When boiling is delayed, the liquid comes to a boil without the customary steam bubbles. Even if the container only vibrates a little, the liquid can boil over a lot or spatter. This can cause injuries and scalding.

Always cover the food. If you do not have a suitable lid for your dish, use a plate or special microwave foil.

You should stir or turn the food several times during heating. Monitor the temperature.

Once you have heated up the meals, leave them to stand for another 2 to 5 minutes so that the temperature can stabilize.

	Amount	Power	Approx. cooking time	Ovenware	Hints
Full meal, one-course meal, ready-to-eat-meal (2-3 components)	12 - 18 oz	P7	6 - 9 min.	plate with lid	
Drinks	2x 7 oz	P10	2 - 3 min.	cup	
Stews	1 lb 2 lb	P8 P8	5 - 8 min. 9 - 13 min.	tall dish with lid	
Slices or pieces of meat in sauce	1 lb 2 lb	P8 P8	5 - 7 min. 8 - 12 min.	tall dish with lid	
Vegetables precooked, e.g. peas, broccoli, and carrots	5 oz. 10 - 11 oz	P6 P6	2 - 3 min. 3 - 5 min.	dish with lid	add 1 tbsp water add 2-3 tbsp water
Vegetables, canned	10 - 14 oz	P6	3 - 6 min.	tall dish with lid	
Soup	4 x 6 oz	P10	4 - 5 min.	soup bowl	

Cooking food

Always cook food in covered dishes. You should stir or turn the food during cooking.

The individual taste of the food is retained to a large degree. You can therefore use less salt and spices.

Food that is laid flat heats up quicker than if it is piled high. Therefore, it is best to spread out the food so that it lies flat in the container. If possible, you should not place layers of food on top of each other.

Once you have cooked the meals, leave them to stand for another 2 to 5 minutes so that the temperature can stabilize.

Fish and seafood

Clean fish before starting the recipe. Arrange fish in a single layer; do not overlap edges. Place thicker pieces towards the outside edge of the dish. Shrimp and scallops should be placed in a single layer.

Place the dish on the turntable. Cover the dish with plastic wrap. Cook on the power level and for the minimum time recommended in the chart. Halfway through cooking, rearrange, stir shrimp or scallops, and turn fish fillets over. Let stand, covered, 5 minutes.

Test for doneness before adding extra cooking time. Fish and seafood should be opaque in color and fish should flake when tested with a fork. If undercooked, return to the oven and continue to cook for 30 - 60 seconds.

	Amount	Power	Approx. cooking time	Ovenware	Hints
Fish fillets	14 oz	P4	7 - 10 min.	dish with lid	add 1-3 tbsp water or lemon juice
Shrimp, medium size shelled and cleaned	1 lb	P6	4 - 6 min.	dish with lid	add 1 tbsp water or lemon juice
Whole fish, e.g. trout unstuffed	1 lb	P8	5 - 8 min.	tall dish with lid	add 1-3 tbsp water or lemon juice
	2 lb	P8	9 - 13 min.		

Poultry

No special techniques are required:

Poultry should be prepared as with conventional cooking. Season if desired.

Poultry should be thoroughly defrosted. Remove giblets and any metal clamps.

Prick the skin and brush lightly with vegetable oil (unless the poultry is self-basting).

All poultry should be placed in a microwave-safe dish with lid and placed on the turntable.

Cook according to the instructions in the poultry cooking recommendations below. Turn whole chicken or Cornish hen over halfway through the cooking time. Because of its shape, poultry has a tendency to cook unevenly, especially in very bony parts. Periodic turning helps to cook these areas evenly.

Let stand for 5-10 minutes. The standing time is very important, as it completes the cooking process.

Make sure poultry is thoroughly cooked before eating. Whole poultry is completely cooked when the juices run clear. Pierce with a sharp knife through the thickest part to ensure that the juices are clear and the flesh is firm.

Note: The times listed above are only a guide. Allow for differences in individual tastes and preferences. The times may also vary due to the shape, cut, and composition of the food.

If whole poultry is stuffed, the weight of the stuffed bird should be used when calculating the cooking time.

	Power	Approx. cooking time	Ovenware	Hints
Chicken (up to 4 lb)	P6	9 - 11 min./lb	dish with lid	turn after ½ of the cook time.
Chicken pieces (up to 2½ lb)	P6	8 - 10 min./lb	dish with lid	
Cornish Hens	P6	8 - 9 min./lb	dish with lid	turn after ½ of the cook time.

Directions for cooking fresh vegetables with the microwave

Weights given in the chart for fresh vegetables are the purchase weight after peeling and trimming. Cut, slice or trim as directed in the chart. Place vegetables in a casserole. Add amount of water recommended in the chart. Add salt after cooking.

Whole vegetables, such as potatoes, should be pierced with a fork several times before cooking. Arrange on a microwave-safe dish in the oven. Arrange potatoes in a circular pattern on the dish. Cook potatoes uncovered.

Cover with a lid or plastic wrap. Cook according to the recommended time in the chart.

After cooking, stir vegetables. Let stand, covered, before serving. Vegetables that are cut into pieces should stand 3 minutes. Whole vegetables should stand 5 minutes.

	Amount	Power	Approx. cooking time	Hints
Artichokes	2x 8 - 12 oz	P5	11 - 14 min.	add some lemon juice on the first cut turn after ½ of the cook time
	4x 8 - 12 oz	P5	17 - 20 min.	add 1 tbsp water per 3.5 oz add 1 tbsp water per 3.5 oz
Asparagus	1 lb	P6	10 - 15 min.	add 1 tbsp water per 3.5 oz turn after ⅓ and ⅔ of the cook time

	Amount	Power	Approx. cooking time	Hints
Broccoli, cut into spears	1 lb	P6	9 - 13 min.	add 1 tbsp water per 3.5 oz stir after $\frac{1}{3}$ and $\frac{2}{3}$ of the cook time
Brussels sprouts	1 lb	P5	9 - 13 min.	add 1 tbsp water per 3.5 oz stir after $\frac{1}{3}$ and $\frac{2}{3}$ of the cook time
Cauliflower, florets	1 lb	P6	12 - 17 min.	add 1 tbsp water per 3.5 oz stir after $\frac{1}{3}$ and $\frac{2}{3}$ of the cook time
Carrots, slices $\frac{1}{4}$ -inch thick	1 lb	P5	11 - 15 min.	add 1 tbsp water per 3.5 oz stir after $\frac{1}{3}$ and $\frac{2}{3}$ of the cook time
Carrots, baby	1 lb	P5	11 - 16 min.	add 1 tbsp water per 3.5 oz stir after $\frac{1}{3}$ and $\frac{2}{3}$ of the cook time
Corn, fresh on the cob	1 ear	P7	4 - 7 min.	add 2 tbsp water turn after $\frac{2}{3}$ of the cook time
	2 ears	P7	8 - 12 min.	add 2 tbsp water turn after $\frac{2}{3}$ of the cook time
	4 ears	P7	15 - 19 min.	add $\frac{1}{4}$ cup water turn after $\frac{2}{3}$ of the cook time
White potatoes	1x 9 - 10.5 oz	P7	7 - 8 min.	dampen
	2x 9 - 10.5 oz	P7	10 - 12 min.	turn after $\frac{1}{2}$ of the cook time
	4x 9 - 10.5 oz	P7	14 - 15 min.	
Zucchini, slice $\frac{1}{4}$ -inch thick	1 lb	P5	8 - 12 min.	add 1 tbsp water per 3.5 oz stir after $\frac{1}{3}$ and $\frac{2}{3}$ of the cook time
Spinach leaf	1 lb	P5	9 - 12 min.	add 1 tbsp water per 3.5 oz stir after $\frac{1}{3}$ and $\frac{2}{3}$ of the cook time
Winter Squash, halves placed faced down in dish	1.0 - 1.2 lb	P8	8 - 12 min.	add 2 tbsp water

Directions for cooking rice and cereals

Rice and cereals foam a lot during cooking. Therefore, use a tall dish.

Only rice should be covered during the cooking process.

Let rice stand 5 - 10 minutes before serving.

Let cereals stand 2 - 5 minutes before serving.

		Power	Approx. cooking time	Hints
Rice	Brown rice 1 cup	P10 P2	6 - 7½ min 25 - 30 min.	add 2 cups cold water stir after step one and before standing time
	Long Grain 1 cup	P10 P2	6 - 7½ min 14 - 18 min.	add 2 cups cold water stir after step one and before standing time
	Short Grain (risotto) 1 cup	P10 P2	6 - 8 min. 13- 18 min.	add 2½ cups cold water stir after step one and before standing time
Cereal, cream of wheat 2½ min. cook time	1 serving 3 tbsp	P10	2 - 3 min.	add ¾ cup cold milk stir after 1½ min. and following after each min.
	2 servings 6 tbsp	P10	3 - 4½ min.	add 1½ cups cold milk stir after 2½ min. and following after each min.
	4 servings ¾ cup	P10	7 - 8 min.	add 3 cups cold milk stir after 3½ min. and following after each min.
Oatmeal	1 serving ⅓ cup	P9	2 - 3 min.	add ¾ cup cold water, stir twice
	2 servings ⅔ cup	P9	3 - 4 min.	add 1½ cup cold water, stir twice
	4 servings 1⅓ cup	P9	6 - 7 min.	add 3 cup cold water, stir twice

Baking chart for cake and cookie mixes

Prepare batter according to package directions.

Note: To bake two 8- or 9-inch layers, each layer must be baked separately. Place the oven rack on the ceramic tray. Preheat the oven to temperature indicated in the chart. Place pan on the oven rack.

For cupcakes or muffin pan with metal or paper baking cups. Fill ⅔ full.

Grease and/or flour aluminum cake pans or grease cookie sheets according to the package directions. Bake for times recommended in the chart. To check doneness, insert a toothpick and it should come out clean. Cool on cake rack according to the package directions. Remove from the dish and cool completely.

Always preheat the oven.

Check doneness at minimum package cooking time.

	Accessory	Setting	Oven temperature
Brownie mix 14.1 - 23.6 oz		convection bake	325 °F
Bundt cake mix 22.5 - 29.75 oz		convection bake	reduce package temperature by 25 °F
Package cake mix 18.25 - 20.25 oz	Fluted tube pan Angel food cake pan Cupcakes 9-inch cake pan yellow and all flavors	convection bake	reduce package temperature by 50 °F

Accessory	Setting	Oven temperature
Refrigerated cookie dough 15 - 27 oz	convection bake	325 °F
Package cookie mix 14 - 36 oz	convection bake	300 °F

Test dishes according to EN 60705, IEC 60705

The quality and function of microwave combination devices are inspected by inspection institutions using these dishes.

Defrosting with microwave

Dish	Microwave power, cook time in minutes	Note
Ground meat	P2 7 - 8 min.	Place Pyrex pan Ø 22 cm on the turntable.
	P1 13 - 15 min.	

Cooking with microwave

Dish	Microwave power, cook time in minutes	Note
Egg milk	P3 25 - 30 min.	Place Pyrex pan on the turntable.
Sponge cake	P6 8 - 10 min.	Place Pyrex pan Ø 22 cm on the turntable.
Meatloaf	P6 18 - 23 min.	Place Pyrex pan on the turntable.

Cleaning and Maintenance

Care and Cleaning of Your Microwave Oven

CAUTION: It is important to keep the oven clean and dry. Food residue and condensation may cause rusting or arcing and damage to the oven. After use, wipe dry all surfaces-including vent openings, oven seams, and under Ceramic Tray.

Before Cleaning

Unplug oven at wall outlet. If outlet is inaccessible, leave oven door open while cleaning. Make sure parts are cool.

After Cleaning

Be sure to place the Roller Ring and the Ceramic Tray in the proper position and press Pause/Stop Pad to clear the Display.

Inside of the oven

Wipe with a damp cloth after using. Mild detergent may be used if needed. Do not use harsh detergents or abrasives.

The interior of the oven is stainless steel. To prevent baked-on soil, clean food spatters or spilled liquids as they occur. For hard to remove soil, use a mild detergent, a non-abrasive cleanser or spray with an all purpose cleaner and wipe dry. Do not use harsh detergents or abrasive cleaners on any oven surface. Plastic scouring pads may be used.

To help loosen soil before cleaning, heat 500 ml (2 cups) of water in a 1 L (4 cups) glass measuring container at High power for 5 minutes or until boiling.

Note: Do not use oven cleaners on the top of the oven.

Outside oven surfaces

Clean with a damp cloth. To prevent damage to the operating parts inside the oven, water should not be allowed to seep into ventilation openings.

Steam will be given off cooking food and collect on the oven walls and door. During conditions of high humidity, steam may occur on the outside of the oven and in no way indicates a malfunction. Wipe dry with a soft cloth.

Oven Door

Wipe with a soft dry cloth when steam accumulates inside or around the outside of the oven door. During cooking, especially under high humidity conditions, steam is given off from the food. (Some steam will condense on cooler surfaces, such as the oven door). This is normal.

Control Panel

If the Control Panel becomes wet, clean it with a soft dry cloth. Do not use harsh detergents or abrasives.

Covered with a removable protective film to prevent scratches during shipping. Small bubbles may appear under this film. (Hint – To remove film, apply masking or clear tape to an exposed corner and pull gently).

When cleaning the Control Panel, leave the oven door open to prevent the oven from accidentally turning on. After cleaning, press Pause/Stop Pad to return to time-of-day.

Ceramic Tray

Remove and wash in warm soapy water or in a dishwasher.

Oven accessories

Oven accessories may be washed in warm sudsy water, in a dishwasher, or scrubbed with plastic pads.

Daily cleaning will prevent the accumulation of odours and soil.

Roller Ring and oven cavity floor

Clean the bottom surface of the oven with mild detergent water or window cleaner, and dry. Roller Ring may be washed in mild soapy water or dishwasher. These areas should be kept clean to avoid excessive noise.

Cooking vapours collect during repeated use, but in no way affect the bottom surface or roller ring wheels. When removing the roller ring from the cavity floor for cleaning, be sure to replace in the proper position.

Maintenance

Before Requesting Service

These things are normal:

The oven causes interference with my TV.

- Some radio and TV interference might occur when you cook with the microwave oven. This interference is similar to the interference caused by small appliances such as mixers, vacuums, blow dryers, etc. It does not indicate a problem with your oven.

Steam accumulates on the oven door and warm air comes from the oven vents.

- During cooking, steam and warm air are given off from the food. Most of the steam and warm air are removed from the oven by the air which circulates in the oven cavity. However, some steam will condense on cooler surfaces such as the oven door. This is normal. After use, the oven should be wiped dry.

The oven has an odor and generates smoke when using the Bake function.

- It is essential that your oven is wiped out regularly particularly after cooking. Any fat and grease that builds up on the ceiling and walls of the oven will begin to smoke if not cleaned.

Problem	Possible cause	Remedy
Oven will not turn on.	The oven is not plugged in securely.	Remove plug from outlet, wait 10 seconds and re-insert.
	Circuit breaker or fuse is tripped or blown.	Reset circuit breaker or replace fuse.
	There is a problem with the outlet.	Plug another appliance into the outlet to check if it is working.
Oven will not start cooking.	The door is not closed completely.	Close the oven door securely.
	Start Pad was not pressed after programming.	Press Start Pad.
	Another program is already entered into the oven.	Press Pause/Stop Pad to cancel the previous program and program again.
	Another program has not been entered correctly.	Program again according to the Operating Instructions.
The Ceramic Tray wobbles.	Pause/Stop Pad has been pressed accidentally.	Program oven again.
	The Ceramic Tray is not positioned properly on the Roller Ring or there is food under the Roller Ring.	Take out Ceramic Tray and Roller Ring. Wipe with a damp cloth and reset Roller Ring and Ceramic Tray properly.
When the oven is operating, there is noise coming from the Ceramic Tray.	The Roller Ring and oven bottom are dirty.	Clean these parts according to Care and Cleaning of your Microwave oven.
The word "LOCK" appears in the Display Window.	The CHILD LOCK was activated.	See section Settings.

Service

User's Record

The serial number of this product may be found on the left side of the control panel. You should note the model number and the FD No./No FD of this oven in the space provided and retain this book as a permanent record of your purchase for future reference.

Model No. _____

FD No./No FD _____

Date of Purchase _____

Specifications

Power Source		120 V, 60 Hz
Power Consumption	Microwave Heater	1,450 W 1,500 W
Output:	Microwave* Heater	1,000 W 1,400 W
Outside Dimensions (H x W x D)		14 ¹³ / ₁₆ " x 23 ⁷ / ₈ " x 19 ⁵ / ₁₆ " 376 mm x 606 mm x 491 mm
Oven Cavity Dimensions (H x W x D)		9 ¹ / ₂ " x 16 ¹ / ₄ " x 16 ¹³ / ₁₆ " 242 mm x 412 mm x 426 mm
Operating Frequency		2,450 MHz
Net Weight		Approx. 48 lbs (22 kg)
Trim Kit 27"		HMT7750 for HMB7050 (Stainless) HMT7760 for HMB7060 (Black) HMT7720 for HMB7020 (White)
Trim Kit 30"		HMT7050 for HMB7050 (Stainless) HMT7060 for HMB7060 (Black) HMT7020 for HMB7020 (White)

* IEC Test procedure
Specifications subject to change without notice.

Warranty

Full One Year Warranty

Covers one year from date of Installation, or date of occupancy on a new, previously unoccupied dwelling. Save your dated receipt or other evidence of installation/occupancy date.

We Will Pay For:

All repair and replacement parts found to be defective due to materials and workmanship.

Service must be provided by a Factory Authorized Service Agency, during normal working hours. For a Service Agency nearest you, please call 800-944-2904.

We Will Not Pay For:

- Service by an unauthorized agency. Damage or repairs due to service by an unauthorized agency or the use of unauthorized parts.
- Service visits to:
 - a) Teach you how to use the appliance.
 - b) Correct defects or repairs due to improper installation. You are responsible for providing electrical wiring and other connecting facilities.
- Reset circuit breakers or replace home fuses.
- Damage caused from accident, alteration, misuse, abuse, improper installation or installation not in accordance with local electrical codes or plumbing codes, or improper storage of the appliance.
- Service labor during limited warranty period.
- Travel fees and associated charges incurred when the product is installed in a location with limited or restricted access. (i.e., airplane flights, ferry charges, isolated geographic regions).
- Repairs due to other than normal home use.

General Information

This warranty applies to appliances used in residential applications; it does not cover their use in commercial installations.

The warranty is for products purchased and retained in the 50 states of the U.S.A., the District of Columbia and Canada. Should the appliance be sold by the original purchaser during the warranty period, the new owner continues to be protected until the expiration date of the original purchaser's warranty period.

Products for use in Canada must be purchased through the Canadian distribution channel to ensure regulatory compliance and warranty coverage.

This warranty gives you specific legal rights. You may also have other rights which vary from state to state.

Table de Matières

À propos de ce manuel	44
Manière dont ce manuel est structuré	44
PRÉCAUTIONS À PRENDRE POUR ÉVITER TOUT RISQUE D'EXPOSITION AUX MICRO-ONDES	44
Sécurité	45
INSTRUCTIONS DE SÉCURITÉ IMPORTANTES	45
Mise en route	53
Panneau de commande	53
Pièces et accessoires inclus	54
Fonctionnement	55
Pour commencer à utiliser votre four	55
Tirer le maximum de votre appareil	57
Nettoyage et entretien	83
Entretien	83
Service	86
Garantie	87

Questions?

1-800-944-2904

www.boschappliances.com

5551 McFadden Ave.
Huntington Beach, CA 92649

Nous nous réjouissons d'avance de recevoir
de vos nouvelles!

À propos de ce manuel

Manière dont ce manuel est structuré

Ce manuel est divisé en plusieurs sections :

- La section *Sécurité* décrit d'importantes consignes de sécurité que vous devez observer pour utiliser l'appareil en toute sécurité.
- La section *Démarrage* explique les caractéristiques et les fonctions de l'appareil, y compris comment l'installer et le mettre en service.
- La section *Fonctionnement* explique comment utiliser chacun des composants de manière optimale.
- La section *Nettoyage et entretien* explique comment nettoyer et assurer l'entretien de l'appareil.
- La section *Service* comprend des conseils de dépannage ainsi que votre garantie.

Avant d'utiliser l'appareil, lisez sans faute ce manuel. Portez une attention particulière à *Consignes de sécurité importantes* au début de ce manuel.



PRÉCAUTIONS À PRENDRE POUR ÉVITER TOUT RISQUE D'EXPOSITION AUX MICRO-ONDES

Ne jamais faire fonctionner le four lorsque la porte est ouverte, au risque de s'exposer à des micro-ondes dangereuses. Il est important de ne pas déjouer ou de modifier les interverrouillages de sécurité.

S'assurer qu'aucun objet ne pénètre entre la paroi avant du four et la porte, et qu'aucune poussière, gras, nettoyant ou quelque autre résidu ne s'accumule sur les joints et surfaces d'étanchéité.

Ne pas faire fonctionner le four s'il est défectueux. Avant tout, s'assurer que la porte ferme correctement et que les composants suivants ne soient pas endommagés :

- Porte (faussée)
- Charnières et verrous (brisés ou desserrés)
- Joints de la porte et surfaces d'étanchéité.

Confier toute réparation ou réglage à un personnel qualifié.

Sécurité



INSTRUCTIONS DE SECURITE IMPORTANTES

LIREZ ET GARDEZ CES INSTRUCTIONS

Quand vous utilisez des appareils électriques, il importe de suivre des précautions de sécurité de base, notamment :



AVERTISSEMENT: Lors de l'utilisation de cet appareil électrique, il est recommandé de prendre les précautions suivantes afin de prévenir tout risque de brûlures, de chocs électriques, d'incendie, de blessures ou d'exposition aux micro-ondes :

Lire toutes les instructions avant d'utiliser l'appareil.

Lire et suivre les instructions concernant les « **PRÉCAUTIONS À PRENDRE POUR ÉVITER TOUT RISQUE D'EXPOSITION AUX MICRO-ONDES** » à la page 44.

Cet appareil doit être branché dans une prise correctement mise à la terre. Brancher l'appareil uniquement dans une prise mise à la terre correctement. Voir « **INSTRUCTIONS DE MISE À LA TERRE** » à la page 48.

Installer cet appareil selon les instructions d'installation de ce manuel.

Ne pas faire cuire certains aliments, tels des oeufs entiers, avec ou sans la coquille, dans le four, ni y placer de bouteilles à cou étroit ou des contenants hermétiquement fermés, par exemple des pots en verre, car la pression pourrait les faire éclater.

Utiliser cet appareil uniquement pour l'usage auquel il est destiné comme l'indique ce manuel. Ne pas utiliser des produits corrosifs, vapeurs ou tout autre produit non alimentaire dans ce four. Cet appareil est conçu uniquement pour la cuisson ou le réchauffage d'aliments. Il n'est pas destiné à un usage commercial ou pour laboratoire. Le chauffage ou l'utilisation de produits corrosifs lors du nettoyage risquerait d'endommager l'appareil ou causer des fuites de radiation.

Une surveillance constante est recommandée si l'appareil doit être utilisé par un enfant. Ne pas prendre pour acquis le fait qu'un enfant peut maîtriser la cuisson parce qu'il sait comment utiliser une fonction.

Ne pas faire fonctionner l'appareil si sa fiche ou son fil d'alimentation sont endommagés, s'il a été échappé, endommagé ou s'il semble y avoir une anomalie.

Confier tout entretien à un personnel compétent. Contacter le service autorisé le plus proche pour inspection, réparation ou réglage.

Ne pas obstruer les événements d'aération.

Ne pas ranger ou utiliser l'appareil à l'extérieur. Ne pas l'utiliser près d'un évier, d'une piscine, dans un sous-sol humide ou tout autre endroit où il risque d'être exposé à l'eau.

Ne pas plonger la fiche ou le fil d'alimentation dans l'eau.

Éloigner le fil d'alimentation de toute source de chaleur.

Ne pas laisser pendre le fil d'alimentation hors de la surface où est déposé le four.

- Lors du nettoyage du four et des joints d'étanchéité, n'utiliser qu'une éponge ou un linge doux humecté d'eau légèrement savonneuse (savon doux ou détergent).



INSTRUCTIONS DE SÉCURITÉ IMPORTANTES

LIREZ ET GARDEZ CES INSTRUCTIONS

Afin de prévenir tout risque d'incendie à l'intérieur du four :

- Ne pas surchauffer les aliments. Toute cuisson nécessitant l'utilisation de papier, de matière plastique ou autre combustible doit être constamment surveillée.
- Retirer les attaches en métal des emballages avant de les placer au four.
- S'il arrive qu'un incendie se déclare à l'intérieur du four, laisser la porte fermée, débrancher le fil d'alimentation ou couper l'alimentation au niveau du fusible ou disjoncteur.
- Ne pas utiliser l'intérieur du four comme espace de rangement. Ne pas y laisser de produits en papier, d'ustensiles de cuisson ou d'aliments une fois la cuisson terminée.

Des liquides, tel l'eau, le café ou le thé peuvent être surchauffés au-delà de leur point d'ébullition sans apparaître en état d'ébullition dû à la tension de la surface du liquide. Il n'est pas toujours possible de constater visuellement l'ébullition d'un liquide à sa sortie du four. IL SE POURRAIT QUE DES LIQUIDES TRÈS CHAUDS SOUDAINEMENT DÉBORDENT LORS DE L'INSERTION D'UNE CUILLÈRE OU D'UN USTENSILE DANS LE LIQUIDE.

Afin de prévenir tout risque de blessures :

- Ne pas surchauffer le liquide.
- Brasser le liquide avant la cuisson et à mi-cuisson.
- Redoubler de vigilance quand on insère un cuillère ou autre ustensile dans le récipient.
- Ne pas utiliser de récipients à parois droites et cous étroits.
- En fin de cuisson, laisser reposer le récipient dans la cavité du four pendant une courte période avant de le retirer du four.

Ne pas utiliser le four lorsqu'il est vide. Cela pourrait endommager le four et causer un incendie.

Ne pas faire sécher de linge, des journaux ou tout autre matériel dans le four. Ne pas utiliser du papier journal ou des sacs en papier pour la cuisson, au risque de provoquer un incendie.

Ne pas utiliser de papier recyclé à moins qu'il ne soit recommandé pour la cuisson micro-ondes. Il peut contenir des impuretés qui risqueraient d'occasionner des étincelles et un feu.

Il est nécessaire d'utiliser des poignées pour retirer les aliments du four. Le contenant de cuisson et le plateau en verre peuvent être très chauds même si le four ne l'est pas.

Pour éviter tout risque de chocs électriques :

- Ne pas retirer le panneau supérieur du four. Les réparations doivent être effectuées uniquement par un technicien de service qualifié.

Pour prévenir tout risque d'exposition aux micro-ondes :

- Ne pas altérer, modifier les réglages, ou réparer la porte, le cadre du panneau de commande, les interverrouillages de sécurité ou toute autre partie du four afin de prévenir les fuites de micro-ondes.



INSTRUCTIONS DE SECURITE IMPORTANTES

LIREZ ET GARDEZ CES INSTRUCTIONS

Pour éviter tout risque d'incendie :

1. Ne pas utiliser le four lorsqu'il est vide. En l'absence d'aliment ou d'eau pour l'absorber, l'énergie des micro-ondes se réfléchirait continuellement sur les parois du four, engendrant une surchauffe et des dommages.
2. Ne pas ranger des matières inflammables à proximité, dessus ou dans le four.
3. Ne pas faire sécher de linge, des journaux ou tout autre matériel dans le four, ni utiliser du papier journal ou des sacs en papier pour la cuisson.
4. Ne pas frapper le panneau de commande. Les commandes peuvent être endommagées.
5. Ne pas utiliser de papier recyclé à moins qu'il ne soit recommandé pour la cuisson micro-ondes. Il peut contenir des impuretés qui risqueraient d'occasionner des étincelles.

Pour prévenir tout risque d'être ébouillanté :

- Il est nécessaire d'utiliser des poignées pour retirer les aliments du four. Pendant la cuisson, la chaleur est transférée des aliments chauds aux récipients de cuisson qui à leur tour transmettent la chaleur au plateau en verre. Le plateau en verre peut être très chaud après avoir retiré le contenant du four.

Plateau en verre

1. Ne jamais utiliser le four sans l'anneau à galets et le plateau en verre.
2. Ne pas utiliser le four sans que le plateau rotatif soit bien engagé dans le moyeu d'entraînement. Cela évitera tout dommage au four ou de mauvais résultats à la cuisson. Après avoir appuyé sur Start pour commencer la cuisson, vérifier que le plateau est correctement en place et tourne normalement. **Remarque :** Le plateau rotatif tourne dans les deux directions.
3. N'utiliser que le plateau en verre approprié à ce four. Ne pas substituer le plateau.
4. S'il est chaud, laisser refroidir le plateau avant de le placer dans l'eau.
5. Ne pas cuire directement sur le plateau en verre. Toujours disposer les aliments dans un plat pour four micro-ondes, ou sur une grille placée dans un plat pour four micro-ondes.
6. Si un aliment ou un ustensile placé sur le plateau en verre venait à toucher les parois du four, le plateau cesserait de tourner et changerait alors de direction.

Anneau à galets

1. Nettoyer fréquemment l'anneau à galets et la sole du four afin d'éviter les bruits excessifs.
2. Toujours remettre le plateau en verre et l'anneau à galets à la bonne place.
3. Lors de la cuisson, toujours utiliser l'anneau à galets avec le plateau en verre.

Grille de four

Utiliser cette grille pour la cuisson en mode Four pour hausser les éléments et les cuire correctement. Peut aussi servir pendant la cuisson en mode Micro-ondes. Ne pas utiliser de récipients métalliques pour le mode Micro-ondes. Les récipients métalliques causeront des étincelles en mode Micro-ondes.

Fonctionnement du moteur du ventilateur

Après avoir utilisé le four, le ventilateur peut se mettre en marche pour refroidir les composants électriques. Cela est parfaitement normal et il est possible de retirer la nourriture du four pendant que le ventilateur est en marche.

INSTALLATION ET MISE À LA TERRE

Examen du four

Déballer l'appareil et retirer tout le matériel d'emballage et examiner soigneusement l'appareil afin de détecter toute déformation, défektivité du système de verrouillage ou bris de la porte. Prévenir immédiatement le détaillant si l'appareil est endommagé. Ne pas installer un four endommagé.

Installation

1. Ce four doit être placé sur une surface plane et stable. Placer la surface avant de la porte trois pouces ou plus du bord supérieur du comptoir pour éviter de faire basculer accidentellement le four micro-ondes en cours de fonctionnement. Il faut prévoir un écoulement d'air suffisant autour du four. Prévoir un espace de 3 po (7,6 cm) des deux côtés du four et un espace d'un pouce (2,5 cm) sur le haut du four.

La hauteur d'installation est de 36 po (91,5 cm) à partir du sol.

- Ne pas bloquer les événements d'aération. S'ils sont bloqués, le four peut surchauffer et être endommagé.
 - Ne pas placer le four près d'une surface chaude et humide comme une cuisinière à gaz ou électrique ou un lave-vaisselle.
 - Ne pas utiliser le four quand l'humidité de la pièce est excessive.
2. Ce four a été construit pour un usage domestique uniquement. Il n'est ni approuvé ni homologué pour usage dans un véhicule mobile, marin ou commercial.

Voyez la garantie. Si vous avez des questions, communiquez avec le fabricant.

Installation

1. Ne pas bloquer les événements d'aération. S'ils sont bloqués, le four peut surchauffer. Si le four surchauffe, un dispositif de sécurité thermique éteindra le four. Le four restera inopérant jusqu'à ce qu'il se soit refroidi.
2. Si le four sera installé dans une armoire, utiliser la trousse de garniture appropriée disponible auprès d'un détaillant local (voir la page 86.). Suivre toutes les instructions fournies avec la trousse.



AVERTISSEMENT: L'utilisation inappropriée de la prise de mise à la terre peut poser un risque d'électrocution.

Consulter un électricien qualifié si les instructions de mise à la terre ne sont pas claires ou en cas de doute sur la mise à la terre adéquate de l'appareil. S'il est nécessaire d'utiliser une rallonge, utiliser une rallonge avec une fiche à trois broches et une prise à trois trous correspondante pour l'appareil. La capacité nominale de la rallonge doit être égale ou supérieure à la capacité nominale de l'appareil.

Instructions de mise à la terre

Cet appareil doit être branché dans une prise correctement mise à la terre. En cas de court-circuit, cette prise de terre permet de réduire les risques de chocs électriques. La fiche à trois broches dont est muni cet appareil s'insère dans une prise standard à trois trous incluant une mise à la terre. La fiche doit être branchée dans une prise correctement installée et mise à la terre.

- Brancher la fiche dans une prise à 3 broches avec mise à la terre, correctement installée.
- Ne pas retirer la broche de mise à la terre.
- Ne pas utiliser un adaptateur.

Alimentation électrique

1. Une court cordon d'alimentation est fourni pour réduire les risques que l'on accroche ou ne trébuche sur un cordon plus long.
2. Des cordons et des rallonges plus longs sont disponibles et peuvent être utilisés à condition de prendre certaines précautions à leur égard. Ne pas laisser pendre le cordon d'alimentation hors de la surface où est déposé le four.
3. Si un long cordon d'alimentation ou une longue rallonge est utilisé,
la capacité nominale indiquée sur le cordon ou la rallonge doit être égale ou supérieure à la capacité électrique de l'appareil,
La rallonge doit être de type trifiliare avec mise à la terre et
le long cordon doit être disposé de manière à ne pas pendre par dessus de comptoir ou dessus de table où un enfant pourrait tirer dessus ou une personne risquerait d'y trébucher dessus.

Exigences en matière de câblage

1. Le four doit être relié à un CIRCUIT SÉPARÉ. Aucun autre appareil ne doit être utilisé simultanément sur le même circuit électrique. Sinon, le fusible risque de griller ou le disjoncteur peut se déclencher ou les aliments prendront plus de temps à cuire que les temps de cuissons recommandés dans ce manuel.
2. Ce four doit être branché sur un secteur de 20 A, 120 V, 60 Hz, dans une prise à trois trous.
S'il advenait que l'installation électrique ne comporte pas de prise munie d'une mise à la terre, il est de la responsabilité et de l'obligation du propriétaire de consulter un maître-électricien afin de faire effectuer les modifications nécessaires.
3. La TENSION du circuit électrique doit correspondre à celle du four (120 V, 60 Hz). Il est dangereux d'utiliser une haute tension et cela peut occasionner un incendie ou des dommages au four. Une tension plus faible ralentit la cuisson. Le détaillant n'est pas responsable pour quelconques dommages résultant d'un usage du four avec un tension autre que celle spécifiée.

Brouillage télé/radio

L'utilisation du four à micro-ondes peut occasionner du brouillage sur la réception radio, télé ou sur un autre équipement semblable.

Cet appareil génère et utilise de l'énergie à fréquence ISM. S'il n'est pas installé et utilisé correctement selon les instructions du fabricant, il peut perturber la réception radio et télévision. Cet appareil a été testé et trouvé conforme aux limites sur les appareils ISM conformément à la partie 18 des règlements FCC, qui sont conçus pour assurer une protection raisonnable contre les interférences dans une installation résidentielle. Toutefois, il n'y a aucune garantie qu'une interférence ne se produira pas dans une installation donnée. Mettre sous tension et hors tension l'appareil pour déterminer s'il cause de l'interférence. En cas de brouillage, essayer les mesures suivantes :

- Nettoyer la porte et les surfaces d'étanchéité du four.
- Réorienter l'antenne de réception de la radio ou télévision.
- Relocaliser le four micro-ondes par rapport à la radio au téléviseur.
- Placer la radio, le téléviseur, etc. le plus loin possible du four à micro-ondes.
- Brancher le four micro-ondes dans une prise différente de sorte que le four et la radio/téléviseur sont branchés sur des circuits différents.

Le fabricant n'est pas responsable de brouillage radio/téléviseur découlant d'une modification non autorisée de ce four micro-ondes. C'est à l'utilisateur que revient la responsabilité de corriger un tel brouillage.

CONSIGNES DE SÉCURITÉ

Lors de l'utilisation du four, il est recommandé de prendre les précautions suivantes.

Préparation en conserve / stérilisation / déshydratation des aliments / cuisson de petites quantités d'aliments

- Ne pas utiliser le four pour la préparation ou réchauffage de conserves. Une pression pourrait se développer et faire exploser la conserve. De plus, le four ne peut pas maintenir les aliments à la température requise pour la mise en conserve. Les aliments risquent alors d'être contaminés et être dangereux à consommer.
- Des petites quantités d'aliments ou des aliments à faible teneur en eau peuvent brûler, s'assécher ou prendre feu. En cas de feu, éteindre le four et laisser la porte fermée. Déconnecter l'appareil de la source d'alimentation au disjoncteur ou fusible.
- Ne pas faire sécher les viandes, les fruits, les légumes ou les fines herbes dans le four.

IMPORTANT

Les résultats dépendent de la durée et du niveau d'intensité réglés ainsi que du poids des aliments. Il y a risque d'incendie si la quantité d'aliment recommandée est réduite mais que la durée de cuisson demeure la même. En cas de feu, éteindre le four et laisser la porte fermée. Déconnecter l'appareil de la source d'alimentation au disjoncteur ou fusible.

Maïs éclaté

- Le maïs éclaté doit être préparé dans un grille-maïs pour four micro-ondes. Le maïs éclaté est également disponible en sac. Suivre les directives du fabricant et utiliser une marque adéquate à la puissance du four combiné. Ne jamais laisser le four sans surveillance lors de la cuisson.

ATTENTION: Le maïs éclaté pré-emballé pour four micro-ondes doit être préparé selon les instructions sur l'emballage.

Vérifier le poids de l'emballage à l'aide de la touche de maïs éclaté. Régler le four selon le poids de l'emballage de maïs éclaté.

Sinon, le maïs peut ne pas éclater correctement ou s'enflammer et déclencher un incendie.

Friture

- Ne jamais faire de friture dans le four à micro-ondes. Dans un four à micro-ondes, l'huile peut être chauffée très rapidement au-delà des températures idéales. Les températures peuvent augmenter au point où les huiles de cuisson atteindront leurs points d'éclair et s'enflammeront. L'huile chauffée pourrait entrer en ébullition et éclabousser, ce qui peut causer des dommages au four et des brûlures. Un bon nombre d'ustensiles conçus pour la cuisson micro-ondes ne résistent pas à la chaleur dégagée par l'huile chaude et pourraient se briser s'ils contiennent la moindre imperfection ou égratignure.

Oeufs

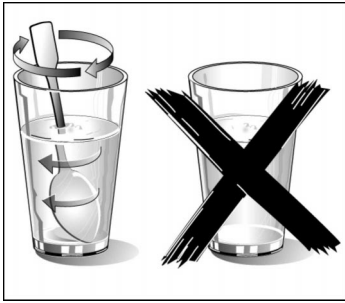
- Ne pas faire cuire ou réchauffer des oeufs entiers, avec ou sans la coquille. La vapeur accumulée dans les oeufs entiers peut les faire exploser et causer des dommages au four ou des blessures. Il est sans danger de réchauffer les oeufs durs TRANCHÉS et de faire cuire des oeufs BROUILLÉS.

Aliments avec membranes non poreuses

- Les pommes de terre, les pommes, les courges et les saucisses sont des exemples d'aliments à membrane non poreuse. Percer ces aliments avant la cuisson par micro-ondes pour les empêcher d'éclater.

ATTENTION: Une cuisson excessive ou des vieilles pommes de terre peuvent engendrer un incendie.

Liquides



- Les liquides chauffés peuvent faire éruption s'ils ne sont pas mélangés avec de l'air. Ne pas chauffer des liquides dans votre four à micro-ondes sans d'abord les remuer.

Plateau en verre / ustensiles de cuisson / aluminium

- Les ustensiles de cuisson peuvent devenir chauds durant la cuisson. Afin d'éviter tout risque de brûlures, utiliser des poignées pour retirer les ustensiles de cuisson et le plateau en verre du four ou lors du retrait du couvercle ou de la pellicule plastique.
- Le plateau en verre devient chaud durant la cuisson. Le laisser refroidir avant de le manipuler ou d'y déposer des articles en papier, telles des assiettes en papier ou des sacs de maïs éclaté pour fours micro-ondes.
- Pendant la cuisson, la chaleur est transférée des aliments chauds aux ustensiles de cuisson qui à leur tour transmettent la chaleur au plateau en verre. Le plateau en verre peut être très chaud après le retrait des ustensiles de cuisson du four.
- Lors de l'utilisation de feuilles d'aluminium, de grille de réchauffage ou d'ustensiles en métal, s'assurer d'un espace d'au moins 2,5 cm (1 po) entre les parties métalliques et les parois intérieures du four ou porte. En cas d'étincelles, retirer le matériel en métal (brochettes, etc.) et/ou transférer dans un contenant non métallique.
- Les plats avec garniture métallique ne doivent pas être utilisés en mode de cuisson micro-ondes ou combiné, car leur utilisation risque de produire des étincelles.

Serviettes en papier / tissus

- Ne pas utiliser de serviettes en papier ni de tissus contenant des fibres synthétiques. Ces fibres risquent de s'enflammer. Surveiller l'usage de serviettes en papier.
- Ne pas utiliser de sacs en papier de ou papier recyclé dans le four à micro-ondes.

Plats à brunir / sacs de cuisson

- Les plats et les grilles à brunir ont été conçus pour la cuisson micro-ondes seulement. Les durées de préchauffage varient selon la taille du plat à brunir ou des aliments à cuire. Procéder selon les instructions du fabricant du plat à brunir ou de la grille de cuisson. Ne jamais préchauffer un plat à brunir pendant plus de 6 minutes.
- Lors de l'utilisation de sacs de cuisson, procéder selon les directives du fabricant. Éviter les attaches en métal pour fermer le sac, utiliser des attaches en nylon d'une bande découpée du sac ou d'une ficelle. Pratiquer six fentes de ½ po. Placer le sac de cuisson dans un plat légèrement plus grand que l'aliment à cuire.

Thermomètres

- Ne jamais utiliser de thermomètre à viande ordinaire dans un four micro-ondes. Autrement, il peut y avoir formation d'étincelles. Ne jamais utiliser de thermomètre à viande pour four micro-ondes pour la cuisson au four. Il pourrait fondre.

Lait maternisé / aliments pour bébés

- Ne pas réchauffer le lait maternisé ou les aliments pour bébés dans le four micro-ondes. Le contenant ou la surface extérieure en verre peut paraître chaude mais l'intérieur peut être brûlant et brûler la bouche et l'estomac du bébé.

Réchauffage de pâtisseries

- Lors du réchauffage de pâtisseries, vérifier la température de toute garniture. Certaines garnitures peuvent être très chaudes même si l'aliment est tiède. (ex. beignes à la gelée)

Mise en garde générale / porte de four

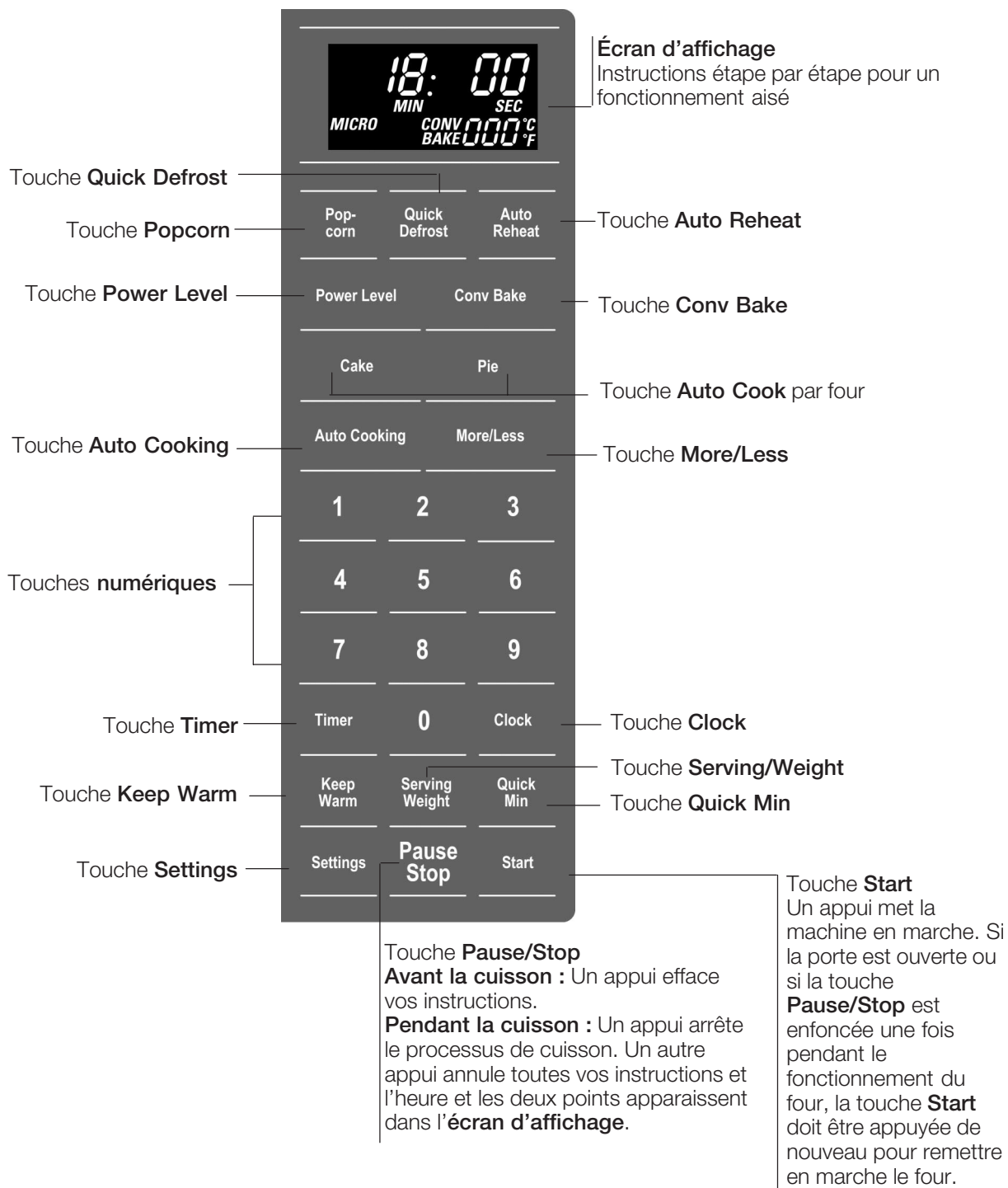
- Ne pas utiliser le four pour autre chose que la cuisson des aliments.
- Ne jamais laisser le four sans surveillance lors de la cuisson.
- La porte les parois intérieurs deviendront très chaud en mode Four.

Préparation des aliments

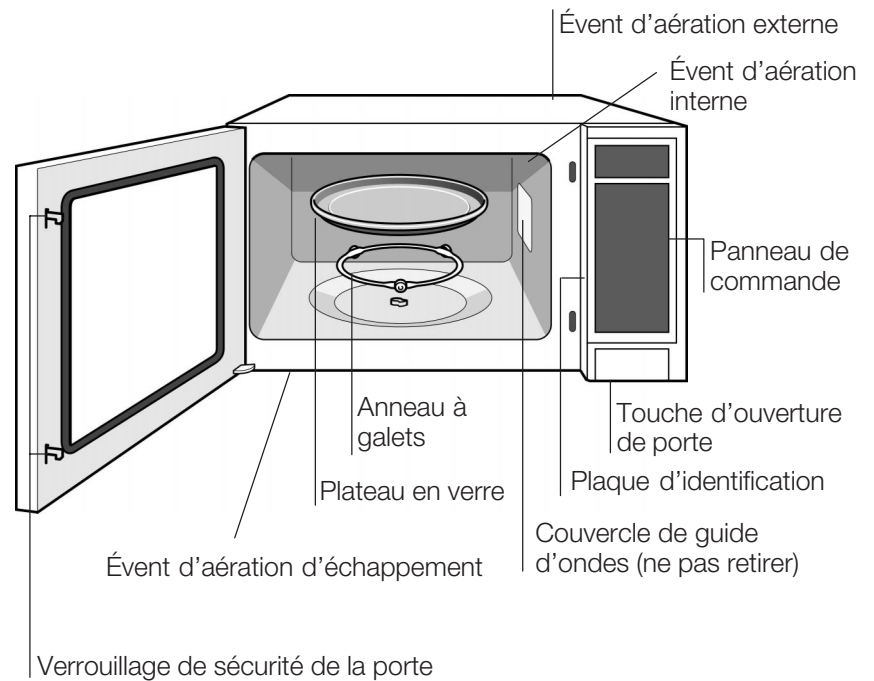
- Ce four à micro-ondes est destiné uniquement à la préparation des aliments. D'autres usages peuvent présenter un risque et entraîner des dégâts. Par exemple, les céréales et les graines peuvent s'enflammer même au bout de plusieurs heures. Danger d'incendie !

Mise en route

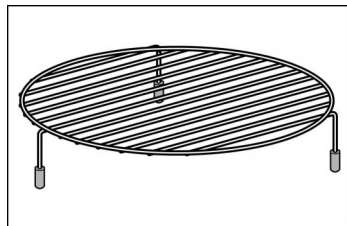
Panneau de commande



Pièces et accessoires inclus



Grille

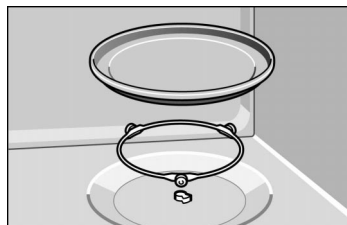


Anneau à galets / Plateau en verre

Placer l'anneau à galets correctement sur la sole du four.

Placez le plateau en verre exactement sur la bague de roulement.

Placez toujours la bague de roulement et le plateau en verre dans la bonne position.



Remarque: Bip rappel :

Quand une touche est enfoncée correctement, un avertisseur sonore se déclenchera.

Si une touche est enfoncée et qu'aucun avertissement sonore, l'unité n'a pu ou ne peut accepter les instructions. En mode de fonctionnement, le four émettra deux bips sonores entre les étapes de programmation. À la fin du cycle de cuisson, le four émettra 5 bips. À la fin du cycle de cuisson, le four émettra 3 bips.

Fonctionnement

Pour commencer à utiliser votre four

Remarques

Avant d'utiliser pour la première fois la cuisson par convection, nettoyer l'intérieur du four avec un linge humecté d'eau légèrement savonneuse, puis le faire fonctionner sans aliment en mode convection à 230 °C (450 °F) pendant 20 minutes; cela aura pour effet de retirer l'huile dont sont enduites les parois du four en vue de les protéger. La porte et l'extérieur du four deviennent chauds durant la cuisson prendre les précautions d'usage lors de l'ouverture de la porte.

Le brancher

Le brancher dans une prise électrique correctement mise à la terre.

Réglage de l'horloge

Exemple :

Pour régler 11 h 25 ou 23 h 25.

1. Appuyer une fois sur **Clock**.
Les deux points clignotent.
2. Entre l'heure du jour (p. ex., 11 h 25) à l'aide des touches numériques.
L'heure apparaît dans l'écran d'affichage; les deux points continuent de clignoter.
3. Appuyer sur **Clock**.
Les deux points arrêtent de clignoter, l'heure du jour est saisie.

Remarque

- Pour reprogrammer l'horloge, répéter les étapes 1 à 3.
- L'horloge conservera l'heure du jour tant que le four est branché dans une prise de courant fonctionnelle.
- L'horloge est un affichage à 12 heures.
- Le four ne fonctionnera pas pendant que les deux points clignotent.

Réglages

La touche de fonction vous permet d'effectuer les réglages initiaux du four, tels que la sélection de la langue d'affichage (anglais, français ou espagnol), la vitesse de défilement de l'affichage, le verrouillage de sécurité, etc.

1. Appuyez sur **Settings**.
 2. Appuyez sur les touches numériques pour sélectionner la rubrique **0** à **9**.
 3. Appuyez sur les touches numériques pour sélectionner la rubrique **1** à **3**.
- Si d'autres rubriques sont désirées, répéter les étapes 1 à 3.

Réglages

- 1 **Langue d'affichage**
Ce four offre le choix de l'affichage en anglais, en français ou en espagnol Lors de la mise en contact initiale, les affichages se font en anglais.
1. ENGLISH* Affichages en anglais.
2. FRANCAIS Affichages en français.
3. ESPANOL Affichages en espagnol.
-
- 2 **lb/kg**
Le four offre le choix entre les mesures impériales et métriques.
Lors de la mise en contact initiale, les mesures impériales sont implicitement sélectionnées.
1. LB* Réglages du poids en lb et oz.
2. KG Réglages du poids en g et kg.
-
- 3 **Vitesse de défilement**
Il est possible de choisir la vitesse de défilement des affichages.
1. QUICK Les mots défilent rapidement.
2. MEDIUM* Réglage implicite de la vitesse de défilement.
3. SLOW Les mots défilent lentement.
-
- 4 **MENU À L'ÉCRAN**
Le guide vous aide à programmer le four en affichant l'étape suivante. Une fois familiarisé avec le fonctionnement du four, désactiver le guide.
1. ON* Le guide s'affiche.
2. OFF Le guide ne s'affiche pas.
-
- 5 **Verrouillage de sécurité**
Le four possède une fonction de verrouillage de sécurité qui prévient la mise en marche du four par inadvertance ou par un enfant. La porte n'est pas verrouillée.
1. ON Les commandes sont verrouillées et ne peuvent être utilisées.
2. OFF* Le verrouillage de sécurité est désactivé.
-
- 6 **AVERTISSEUR OUI/OFF**
Il est possible d'activer ou de désactiver l'avertisseur du four.
1. ON* L'avertisseur se fait entendre.
2. OFF Aucune tonalité n'est émise.
-
- 7 **Aide-mémoire (bip rappel)**
À toutes les 15 secondes ou jusqu'à ce que la porte soit ouverte, un avertisseur peut se déclencher pour vous rappeler de retirer les aliments après la cuisson.
1. ON L'avertisseur aide-mémoire se déclenche.
2. OFF* L'avertisseur aide-mémoire est désactivé.
-
- 8 **Heure avancée normale**
1. ON L'horloge est avancée d'une heure.
2. OFF* L'horloge est remise à l'heure normale.
-
- 9 **Affichage de l'horloge**
Il est possible d'annuler l'affichage de l'heure.
1. ON* L'heure apparaît à l'afficheur.
2. OFF L'heure n'apparaît pas à l'afficheur.
L'heure du jour demeure en mémoire lorsque l'heure n'est pas affichée.
-
- 0 **Mode de démonstration**
Cette fonction est conçue pour les démonstrations en magasin. En ce mode, le fonctionnement du four est simulé sans émission de micro-ondes.
1. ON Le four se met en mode démonstration.
2. OFF* Aucune démonstration n'est possible.
-

* MODE PAR DÉFAUT

Tirer le maximum de votre appareil

Sélection de la puissance et de la durée de cuisson

Sélectionner le niveau d'intensité

Appuyer sur	Niveau d'intensité
once	P10 (ÉLEVÉE)
deux fois	P9
3 fois	P8
4 fois	P7 (MOY-ÉLEVÉE)
5 fois	P6 (MOYENNE)
6 fois	P5
7 fois	P4
8 fois	P3 (MOY-BASSE)
9 fois	P2 Décongélation
10 fois	P1 (BASSE) Décongélation

Exemple :
Pour cuire à P6 (MOYENNE)
pendant 1 minute 30 secondes

1. Appuyer sur **Power Level** (5 fois) jusqu'à ce le niveau d'intensité apparaisse à l'écran.
2. Entrer la durée de cuisson à l'aide des touches numériques
3. Appuyer sur **Start**.
La cuisson débute. Le compte à rebours s'amorce à l'affichage.

Remarque

- Si la cuisson comporte plus d'un cycle, recommencer les étapes 1 et 2 pour chacun des cycles avant d'appuyer sur la touche **Start**. Le nombre maximum de cycles est fixé à 3. Pendant le fonctionnement, deux bips se font entendre entre chaque cycle de cuisson. Cinq bips se font entendre à la fin du programme.
- Quand P10 (ÉLEVÉE) est sélectionné pour la première étape, on peut commencer à l'étape 2.
- Si P10 (ÉLEVÉE) est sélectionnée, la durée maximale programmable est de 30 minutes. Pour les autres niveaux, la durée maximale est de 99 minutes et 99 secondes.
- Régler la puissance à P10 (ÉLEVÉE) pour réchauffer des liquides., P7 (MOY-ÉLEVÉE) pour la plupart des aliments P6 (MOY) pour des aliments denses.
- Pour la décongélation, utiliser P2 (MOY-BASSE) ou P1 (BASSE).

Ne pas trop cuire

Ce four cuit plus rapidement que les modèles plus anciens. Une surcuisson donne des aliments plus secs et peut engendrer un incendie. Le niveau de puissance d'un four micro-ondes donne le niveau de puissance micro-ondes disponible.

Des fonctions automatiques sont fournis pour une commodité accrue. Si les résultats ne conviennent pas aux préférences individuelles ou si la portion est autre que celle listée, cuire en mode manuel (voir ci-dessus).

Pour régler la minuterie

Cette fonction permet de programmer le four comme minuterie auxiliaire. Il est également possible de le programmer pour une période de repos après la cuisson et(ou) de programmer un temps d'attente avant le début de la cuisson.

ATTENTION: Si l'éclairage du four s'allume pendant l'utilisation de la fonction minuterie, la programmation du four est erronée. Arrêter immédiatement le four et relire les instructions.

Utilisation comme minuterie auxiliaire

Exemple :
Pour un compte à rebours de 5 minutes

1. Appuyer sur **Timer**.
2. Régler la durée désirée à l'aide des touches numériques. (jusqu'à 99 minutes et 99 secondes).
3. Appuyer sur **Start**.
Le compte à rebours s'amorce sans que le four fonctionne.

Réglage du temps d'attente (2 ou 3 programmes)

ex.

1. Appuyer sur **Timer**.
2. Entrer 80 minutes (à l'aides des touches numériques).
3. Appuyer sur **P10**
4. Entrer 5 minutes (à l'aides des touches numériques).
5. Appuyer sur **P6**
6. Entrer 20 minutes (à l'aides des touches numériques).
7. Appuyer sur Démarrer.

Réglage du temps de repos (2 ou 3 programmes)

ex.

1. Appuyer sur **P3**
2. Entrer 25 minutes (à l'aides des touches numériques).
3. Appuyer sur **Timer**.
4. Entrer 7 minutes (à l'aides des touches numériques).
5. Appuyer sur **Start**.
La cuisson débute. Après la cuisson, le compte à rebours du temps de repos s'amorce sans que le four fonctionne.

Fonction Quick Min

Cette fonction permet de régler ou d'ajouter du temps de cuisson par incréments de 1 minute jusqu'à 10 minutes.

Réglage de la durée de cuisson :

1. Appuyer sur **Quick Min** jusqu'à ce que le temps de cuisson apparaisse à l'affichage (jusqu'à 10 minutes). Le niveau d'intensité est prédéfini à P10.
2. Appuyer sur **Start**
La cuisson débute et le compte à rebours s'amorce. À la fin de la cuisson, 5 bips se font entendre.

Remarque

- Il est possible d'utiliser au besoin d'autres niveaux d'intensité. Sélectionner le niveau désiré avant de régler le temps de cuisson.
- Après le réglage de la durée à l'aide de la touche **Quick Min**, les touches numériques ne fonctionnent pas.
- La touche **Quick Min** peut servir à ajouter du temps à la durée pendant la cuisson manuelle.

Fonction Keep Warm

Cette fonction permet de maintenir les aliments au chaud jusqu'à 30 minutes après la cuisson.

Exemple :

Pour conserver 500 ml (2 tasses) de sauce maison au chaud

1. Appuyer sur la touche **Keep Warm**.
2. Régler la durée de maintien au chaud, jusqu'à 30 minutes.
3. Appuyer sur **Start**.
Le maintien au chaud débute. Le compte à rebours s'amorce à l'affichage.

Remarque

- Le **maintien au chaud** peut être programmé comme étape finale après la saisie manuel des temps de cuisson. Il ne peut pas être utilisé en combinaison avec les fonctions automatiques.

Fonction Popcorn

Appuyer sur	Poids
une fois	3,5 oz (99 g)
deux fois	3,0 oz (85 g)
3 fois	1,75 oz (50 g)

Exemple :

Pour faire éclater 3,5 oz. de maïs éclaté

1. Appuyer sur **Popcorn** jusqu'à ce que la portion désirée soit affichée.
(Il est aussi possible d'utiliser la touche **More/Less**, Voir la fonction Plus/Moins.)
2. Appuyer sur **Start**.
Après quelques secondes, le temps de cuisson apparaît sur l'écran d'affichage et le compte à rebours est amorcé.

Nota sur la fonction Popcorn

- Ne faire éclater qu'un sac à la fois.
- Placer le sac dans le four conformément aux instructions du fabricant.
- Utiliser du maïs éclaté à température ambiante.
- Une fois le maïs éclaté, attendre quelques minutes avant d'ouvrir le sac.
- Ouvrir le sac avec prudence pour prévenir les brûlures lors de l'échappement de la vapeur.
- Ne pas réchauffer les grains qui n'ont pas éclaté ni réutiliser le sac.

Remarque

Si le maïs éclaté est d'un poids différent de celui listé, suivre les instructions sur l'emballage du maïs éclaté. **Ne jamais laisser le four sans surveillance.** Si 2 à 3 secondes s'écoulent entre chaque éclatement de maïs, arrêter le four. **La surchauffe peut causer un incendie.**

Remarques

Il est possible que la durée de cuisson varie quelque peu lorsque plusieurs sacs de maïs sont cuits l'un après l'autre. Cela n'affectera pas les résultats.

Fonction More/Less

Pour le maïs éclaté:

Avec **More/Less**, il est possible d'allonger ou de raccourcir le temps de cuisson pour le maïs éclaté.

1 appui	ajoute env. 10 s
2 appuis	ajoute env. 20 s
3 appuis	soustrait env. 10 s
4 appuis	soustrait env. 20 s
5 appuis	réglage original

Appuyer sur **More/Less** avant d'appuyer sur **Start**.

Réchauffage auto

Les préférences de cuisson varient d'une personne à l'autre. Après avoir utilisé la fonction **Auto Reheat** plusieurs fois, vous pourriez choisir d'ajuster le temps de cuisson.

1 appui	Plus (ajoute env. une durée de 10 %)
2 appuis	Moins (soustrait env. une durée de 10 %)
3 appuis	réglage original

Appuyer sur **More/Less** avant d'appuyer sur **Start**.

Fonction Quick Defrost

Cette fonction vous permet de décongeler les aliments tels que : viande, volaille et fruits de mer simplement en entrant leur poids.

Utiliser le tableau pour convertir les onces ou centièmes de livre en dixièmes de livre. Pour utiliser la fonction de décongélation rapide, entrer le poids en lb (1,0) et dixièmes de livre (0,1) (0,1). Si le morceau de viande pèse 1,95 lb ou 1 lb 14 oz, entrer 1,9 lb.

Tableau de conversion

Onces	Centième de livre	Dixième de livre
0	0,01 - 0,05	0.0
1 - 2	0,06 - 0,15	0.1
3 - 4	0,16 - 0,25	0.2
5	0,26 - 0,35	0,3

Onces	Centième de livre	Dixième de livre
6 - 7	0,36 - 0,45	0.4
8	0,46 - 0,55	0.5
9 - 10	0,56 - 0,65	0.6
11 - 12	0,66 - 0,75	0.7
13	0,76 - 0,85	0.8
14 - 15	0,86 - 0,95	0.9

Exemple :
Pour décongeler 700 g (1,5 lb) de viande

Placer la viande dans un plat pour four micro-ondes.

1. Appuyer sur la touche **Quick Defrost**.

2. Entrer le poids de l'aliment à l'aide des touches numériques.

3. Appuyer sur **Start**.

La décongélation débute. Le compte à rebours s'amorce. Avec des aliments plus lourds, un bip est émis à mi-décongélation. Si 2 bips se font entendre, retourner, réarranger les aliments ou les protéger avec du papier d'aluminium.

Remarque

- Le poids maximal pour la viande est 1,8 kg (4 lb); 2,7 kg pour la volaille et 1,4 kg pour les fruits de mer.
- On peut programmer le poids de la décongélation rapide jusqu'à 3 kg (6 lb).
- La puissance et la durée peuvent être programmées après la décongélation rapide.

Conseils et techniques de décongélation

Préparation pour la congélation

- La viande, la volaille et le poisson doivent être congelés sur 1 ou 2 couches seulement. Mettre du papier ciré entre les couches.
- Emballer avec de la pellicule plastique très résistante, des sacs ou papier pour congélateur.
- Retirer le plus d'air possible pour créer un emballage sous vide.
- Fermer en s'assurant d'une bonne étanchéité et inscrire la date et la description sur une étiquette.

Pour décongeler

- Retirer l'emballage. Cela permet à l'humidité de s'évaporer et ainsi de réduire les risques de cuisson par le réchauffage des jus des aliments.
- Placer l'aliment dans un plat pour four micro-ondes.
- Les rôtis doivent être placés côté gras sur le dessous et la volaille entière, poitrine sur le dessous.
- Sélectionner le niveau d'intensité le plus bas et le temps minimum afin que les aliments ne soient pas complètement décongelés.
- Égoutter les jus durant la décongélation.
- Tourner les aliments durant la décongélation.
- Protéger les extrémités ou les parties minces si nécessaire.

Après la décongélation

- Le centre des gros morceaux peut encore être gelé. La décongélation se termine pendant la durée d'attente.
- Laisser reposer, couvert.
- Rincer les aliments mentionnés au tableau.
- Les aliments congelés en deux couches devraient être rincés séparément et devraient avoir une période d'attente plus longue.

Cuisson avec programmation du temps

Cette fonction offre un choix de température de cuisson de 100 °C à 230 °C en incréments de 10 °C (ou de 200 °F à 450 °F en incréments de 25 °F).

La plupart des aliments cuits nécessitent le préchauffage du four.

Placez la grille sur le plateau en verre. Suivre ces étapes.

Remarque

Avant d'utiliser la fonction Four pour la première fois, laver l'intérieur avec un chiffon savonneux, puis mettre en marche le four en mode Four pendant environ 20 minutes à 230 °C (450 °F). Cela permettra de brûler l'huile utilisée pour la protection antirouille.

La porte et l'extérieur deviendront très chaud en mode Four. Manipuler la porte avec soin.

Exemple : Cuisson

1. Appuyer sur la touche **Bake** pour sélectionner la température souhaitée du four.

2. Appuyer sur **Start**.

Le préchauffage débute.

- Pendant le préchauffage, « P » apparaît à l'écran. Ne pas ouvrir la porte.
- Quand le préchauffage est terminé, le four émettra trois avertissements sonores et « P END » apparaîtra à l'écran.
- Si la porte n'est pas ouverte après le préchauffage, la température sélectionnée sera maintenue pendant 30 minutes. Après 30 minutes, le four s'éteindra automatiquement et émettra cinq avertissements sonores.

Exemple : 30 minutes

3. Après le préchauffage, placer les aliments dans le four.

4. Régler la durée de cuisson à 30 minutes (jusqu'à 5 heures).

5. Appuyer sur la touche **Start**.

La cuisson débute.

Remarque :

- Pour les recettes qui ne demandent pas de précuisson, éliminer l'étape 2.
- Quand la durée de cuisson sélectionnée est moins d'une heure, le compte à rebours se fait à la seconde.
- Quand la durée de cuisson sélectionnée est plus d'une heure, le compte à rebours se fait à la minute. Le compteur effectuera un compte à rebours à la seconde.
- Appuyer sur la touche **Bake** pendant le préchauffage ou la cuisson pour afficher la température programmée.

Pour utiliser la fonction Auto Reheat (par micro-ondes)

Exemple :
Pour réchauffer 2 portions d'une casserole

Cette fonction permet de réchauffer de 1 à 4 portions d'aliments précuits et réfrigérés, sans avoir à programmer l'intensité ou la durée.

1. Appuyer deux fois sur la touche Auto Reheat jusqu'à ce que la portion désirée soit affichée.
Il est aussi possible d'utiliser la touche **More/Less**, Voir la fonction More/Less.
2. Appuyer sur **Start**.
Le réchauffage débute et le compte à rebours s'amorce.

Appuyer sur Auto Reheat pour indiquer le nombre de portions	Taille de portion moyenne	Durée
once	4-6 oz	varie selon le format et la puissance du four
deux fois	8 oz	
3 fois	12 oz	
4 fois	16 oz	

Remarque: Pour de meilleurs résultats, suivre les recommandations suivantes :

1. Tous les aliments à réchauffer doivent être déjà cuits.
2. Couvrir lâchement les aliments avec une pellicule plastique, un papier paraffiné ou un couvercle.
3. Laisser reposer les aliments, à couvert, pendant 3 à 5 minutes.
4. NE PAS utiliser la fonction de réchauffage automatique pour le pain et les produits de pâtisserie. Effectuer les réglages manuellement.
5. Ne jamais réchauffer des boissons.
6. Les durées sont établies pour des portions d'environ 4 oz.
7. Une assiette d'aliments contient entre 3 et 4 portions.

Pour utiliser la fonction Auto Cooking (par micro-ondes)

1. Appuyer sur la touche **Auto Cooking**.
2. Sélectionner le menu avec les touches numériques (1~9).
3. Sélectionner **Serving/Weight**.
Il est aussi possible d'utiliser la touche **More/Less**, Voir la fonction More/Less.
4. Appuyer sur **Start**.

Touche Auto Cooking	Recette	Portion/Poids	Ustensiles de cuisson au four	Conseils
1	Porridge	½ tasse, 1 tasse	grandsaladier de service pour four à micro-ondes	Le porridge a tendance à beaucoup mousser pendant la cuisson. Pour cette raison, il convient d'utiliser un plat aux bords hauts sans couvercle. Sélectionnez le poids de porridge non cuit (sans liquide). Versez le porridge dans un saladier de service pour four à micro-ondes sans couvercle. Suivez les indications du fabricant pour la préparation.
2	Boissons	1 tasse, 2 tasses	tasse pour four à micro-ondes	Cuire à découvert. Remuez après la cuisson.
3	Soupe	1 tasse, 2 tasses	saladier de service pour four à micro-ondes	Versez la soupe dans un saladier de service pour four à micro-ondes. Cuisson à découvert. Remuez après la cuisson.
4	Plat principal congelé	8 oz, 10 oz, 20 oz, 32 oz.	saladier de service pour four à micro-ondes muni d'un couvercle ou couvert d'un film étirable troué	Suivez les indications du fabricant pour la préparation. Après avoir entendu 2 bips sonores, remuez ou modifiez la répartition des aliments. Faites attention en retirant le film étirable après la cuisson. Retirez-le en dirigeant la vapeur loin de vous pour éviter les brûlures. Si davantage de cuisson est nécessaire, poursuivre la cuisson manuellement.
5	Pommes de terre	1 à 4 (6 à 8 oz chacune)	réceptacle plat pour four à micro-ondes sans couvercle	Utilisez des pommes de terre de même taille. Percez chaque pomme de terre avec une fourchette tout autour de la surface, à intervalles réguliers. Disposez la ou les pommes de terre sur le pourtour du plateau tournant), au moins à 1 pouce de distance. Cuisson à découvert. Laissez reposer pendant 5 minutes pour terminer la cuisson.
6	Légumes frais	4 oz, 8 oz, 12 oz, 16 oz.	plat aux bords hauts pour four à micro-ondes muni d'un couvercle ou couvert d'un film étirable troué	Tous les morceaux doivent être de la même dimension. Lavez soigneusement, ajoutez 1 cuillère à soupe d'eau pour chaque ½ tasse de légumes et mettez un couvercle ou couvrez d'un film étirable troué. Ajoutez le sel et le beurre après la cuisson.

Touche Auto Cooking	Recette	Portion/Poids	Ustensiles de cuisson au four	Conseils
7	Légumes congelés	6 oz, 10 oz, 16 oz.	plat aux bords hauts pour four à micro-ondes muni d'un couvercle ou couvert d'un film étirable troué	Ce programme convient uniquement aux légumes blanchis non précuits. Lavez soigneusement, ajoutez 1 cuillère à soupe d'eau pour chaque ½ tasse de légumes et mettez un couvercle ou couvrez d'un film étirable troué. Ajoutez le sel et le beurre après la cuisson. Ne convient pas aux légumes cuits au beurre ou en sauce. Après avoir entendu 2 bips sonores, remuez ou modifiez la répartition des aliments.
8	Riz	½ tasse, 1 tasse, 1 tasse ½	grandsaladier de service pour four à micro-ondes muni d'un couvercle ou couvert d'un film étirable troué	Le riz a tendance à beaucoup mousser pendant la cuisson. Pour cette raison, il convient d'utiliser un plat aux bords hauts muni d'un couvercle. Ne pas utiliser de riz en sachet prêt à cuire. Ajoutez au riz deux à deux fois et demie son volume d'eau. Versez le riz et l'eau chaude du robinet dans un plat à gratin pour four à micro-ondes. Mettez un couvercle ou recouvrez d'un film étirable troué. Laissez reposer pendant 10 minutes avant de servir.
9	Filets de poisson	4 oz, 8 oz, 12 oz, 16 oz.	réceptacle plat pour four à micro-ondes muni d'un couvercle ou couvert d'un film étirable troué	Disposez en une seule couche. Mettez un couvercle ou recouvrez d'un film étirable troué.

Durée de repos

Repas	Durée de repos
Légumes	env. 5 min
Pommes de terre	env. 5 min, égouttez l'eau restante
Riz	5 à 10 min

Menu Auto Cooking

1	2	3	4
Fonction Auto Cooking	1. Gruau	½ tasse 1 tasse	Start
	2. Boissons	1 tasse 2 tasses	
	3. Soupe	1 tasse 2 tasses	
	4. Entrées congelées	8 oz/225 g 10 oz/300 g 20 oz/600 g 32 oz/900 g	
	5. Pomme de terre (6-8 oz)	1 2 3 4	
	6. Légumes frais	4 oz/110 g 8 oz/225 g 12 oz/340 g 16 oz/450 g	
	7. Légumes congelés	6 oz/170 g 10 oz/300 g 16 oz/450	
	8. Riz (blanc)	½ tasse 1 tasse 1½ tasse	
	9. Filets de poisson	4 oz/110 g 8 oz/225 g 12 oz/340 g 16 oz/450 g	

Pour utiliser la fonction Auto Cook par Bake

Cette fonction permet de cuire un gâteau ou une tarte sans avoir à sélectionner la température du four et la durée de cuisson.

Exemple :
Gâteau

1. Sélectionner la catégorie souhaitée.
e.g. Gâteau.

2. Appuyer sur **Start**.
La cuisson débute.

Remarque

- Pour ajuster le temps de cuisson, appuyer sur **More/Less** avant d'appuyer sur **Start**.

- Ne cuira pas des carrés au chocolat, des brownies ou gâteau aux fruits.

- Ne pas utiliser du fond de tarte congelé.

- Placer les tartes congelées sur une tôle.

- Les catégories sont divisées davantage comme suit :

Gâteau	1er appui	Gâteau 1 pour les recettes de gâteau qui prennent typiquement moins de 28 minutes.
	2e appui	Gâteau 2 pour les recettes de gâteau qui prennent typiquement de 28 minutes à 49 minutes.
	3e appui	Gâteau 3 pour les recettes de gâteau qui prennent typiquement 50 minutes ou plus.

(A) Consulter l'emballage de la préparation pour gâteau pour les temps de cuisson recommandés ou personnaliser des recettes de gâteau fait à partir d'ingrédients divers.

(B) **Auto Cook** par **Bake** ne nécessite pas le préchauffage du four à convection.

Tarte	1er appui	Tarte fraîche pour tartes à double croûte avec garnitures fraîches
	2e appui	Tarte congelée pour tartes à double croûte congelées
	3e appui	Tarte précuite pour tartes à double croûte avec garnitures précuites ou en conserve.

Pour utiliser **More/Less**

Après avoir utilisé la cuisson à une touche plusieurs fois, vous pourriez choisir d'ajuster le temps de cuisson. Avec la touche **More/Less**, il est possible d'allonger ou de raccourcir le temps de cuisson. Si vous êtes satisfait avec les programmes, ne pas ajuster **More/Less**. Appuyer sur **More/Less** avant d'appuyer sur **Start**. Les mots « **More** » ou « **Less** » apparaissent à l'écran quand on appuie sur **More/Less**.

Caractéristiques des aliments

Os et matières grasses

Les deux affectent la cuisson. Les os conduisent irrégulièrement la chaleur. Il peut avoir surcuisson de la viande qui entoure l'extrémité des gros os, tandis que celle placée sous un gros os, tel un jambon, peut ne pas être tout à fait cuite. Les matières grasses absorbent plus rapidement les micro-ondes et risquent d'engendrer une surcuisson des viandes.

Densité

Les aliments poreux cuisent plus rapidement que les aliments compacts et lourds, tels que les pommes de terre et les rôtis. Faire attention lors du réchauffage des aliments avec un centre à consistance différente, tels les beignes. Les mélanges à haute teneur en sucre, eau ou gras attirent plus de micro-ondes. La gelée à l'intérieur des beignes peut être très chaude même si le beigne n'est que tiède. Afin d'éviter des brûlures, laisser reposer afin de refroidir le centre.

Quantité

La cuisson de deux pommes de terre prend environ deux fois plus de temps que celle d'une pomme de terre. Ainsi, la durée de cuisson augmente avec la quantité d'aliments. S'assurer de ne pas laisser le four micro-ondes sans surveillance lors de la cuisson. La quantité d'humidité peut être réduite, causant ainsi un risque d'incendie.

Forme

Les aliments de même forme cuisent plus uniformément. L'extrémité fine d'un pilon cuit donc plus vite que le gros bout. Compenser les différences de forme des aliments en plaçant les parties minces vers le centre et les grosses vers l'extérieur.

Température de départ

Les aliments à la température de la pièce prennent moins de temps à cuire que ceux qui sortent du réfrigérateur ou du congélateur.

Techniques

Perçage

La peau, la pelure ou la membrane de certains aliments doit être percée ou fendue avant la cuisson pour permettre à la vapeur de s'échapper. Percer les huîtres, les palourdes, le foie de poulet, les pommes de terre et les légumes entiers. La peau des pommes ou des pommes de terre nouvelles doit être fendue d'au moins 2,5 cm (1 po) avant la cuisson. Percer ou fendre les saucisses fraîches et fumées. Ne pas faire cuire ou réchauffer des oeufs entiers, avec ou sans la coquille. La vapeur accumulée dans les oeufs entiers peut les faire exploser et causer des dommages au four ou des blessures. Il est sans danger de réchauffer les oeufs durs TRANCHÉS et de faire cuire des oeufs BROUILLÉS.

Espacement

Les aliments individuels, tels les pommes de terre, les petits gâteaux et les amuse-gueules cuiront plus uniformément s'ils sont placés à une distance égale les uns des autres. Dans la mesure du possible, les disposer dans un cercle.

Couvercle	<p>Tout comme la cuisson au four conventionnel, l'humidité des aliments s'évapore durant la cuisson au four micro-ondes. Un couvercle de faitout ou une pellicule plastique sont utilisés pour un meilleur scellage. Lors de l'utilisation d'une pellicule plastique, replier certains rebords du plastique sur lui-même pour permettre à la vapeur de s'échapper. Dépendamment du mode d'emploi des recettes, il peut être nécessaire de desserrer ou d'ôter la pellicule plastique pendant la période d'attente. Afin de prévenir les brûlures causées par la vapeur, s'assurer de tenir les couvercles en verre ou les pellicules plastiques loin du corps lors de leur retrait. Le papier ciré et les essuie-tout permettent aussi de conserver l'humidité des aliments à différents degrés.</p>
Protection	<p>Les parties minces de la viande et de la volaille cuisent plus rapidement. Afin de prévenir la surcuisson de ces parties, les protéger au moyen de morceaux de papier d'aluminium. Des cure-dents en bois peuvent être utilisés pour maintenir le papier d'aluminium en place.</p> <p>ATTENTION: lors de l'utilisation de papier d'aluminium. Il y a risque de production d'étincelles si l'aluminium est trop proche des parois du four, ce qui pourrait causer des dommages au four.</p>
Temps de cuisson	<p>Une échelle de cuisson est proposée pour chaque recette. Cette échelle de cuisson permet d'accommoder les différences dans la forme des aliments, les températures de départ et les préférences régionales. Toujours commencer la cuisson des aliments à partir du temps de cuisson le plus court proposé dans la recette et vérifier si l'aliment est suffisamment cuit. Si l'aliment nécessite une cuisson plus longue, continuer la cuisson. Il est toujours possible de rallonger la cuisson d'un aliment qui le nécessite. Cependant, rien ne peut être fait lorsque l'aliment est trop cuit.</p>
Mélange	<p>Il est nécessaire de remuer les aliments pendant la cuisson au four micro-ondes. Amener la portion cuite du bord vers le centre et la portion moins cuite du centre vers l'extérieur du plat.</p>
Réarrangement	<p>Réarranger les petits aliments tels les morceaux de poulet, les crevettes, les galettes de hamburger et les côtelettes de porc. Réarranger les extrémités vers le centre et vice-versa.</p>
Retournement	<p>Il est impossible de remuer certains aliments pour redistribuer la chaleur. Quelquefois, l'énergie des micro-ondes se concentre dans une partie de l'aliment. Pour assurer l'uniformité de la cuisson, ces aliments doivent être retournés. À la mi-cuisson, retourner les plus gros aliments tels les rôtis ou la dinde.</p>
Période d'attente	<p>La plupart des aliments continuent à cuire par conduction lorsque le four s'éteint. La température interne de la viande protégée par du papier d'aluminium augmentera de 3 °C à 8 °C (5 °F à 15 °F) en période d'attente de 10 à 15 minutes. Les légumes et les casseroles nécessitent moins de temps d'attente mais cette période est nécessaire pour permettre la cuisson interne du centre des aliments sans brûler les extrémités.</p>
Vérification de la cuisson	<p>Les fours micro-ondes nécessitent la même vérification de cuisson que les fours conventionnels. La viande est cuite lorsqu'elle est tendre sous la fourchette ou qu'elle se coupe facilement. La volaille est cuite lorsque le jus est transparent et que les pilons se détachent facilement. Le poisson est cuit lorsqu'il est opaque et qu'il s'effrite facilement. Les gâteaux sont cuits lorsqu'un cure-dent ou une sonde à gâteau est inséré et en ressort propre.</p>

Sécurité des aliments et température de cuisson

Vérifier les aliments pour s'assurer qu'ils ont été cuits aux températures recommandées.

TEMP.	ALIMENT
160 °F	Plateau en verre.pour le porc frais, la viande hachée, le blanc de volaille désossé, le poisson, les fruits de mer, les plats aux oeufs et les aliments préparés surgelés.
165 °F	Plateau en verre.pour les restes, réfrigérés prêt à réchauffer, la charcuterie et les aliments frais à emporter.
180 °F	...volaille

Pour vérifier le degré de cuisson, insérer un thermomètre à viande dans une partie épaisse ou dense loin du gras ou des os. NE JAMAIS laisser le thermomètre dans l'aliment pendant la cuisson, sauf s'il est homologué à cette fin.

Ustensiles de cuisson

Article	Micro-ondes	Commentaires
Papier d'aluminium	Pour protection seulement	Recouvrir les parties minces des pièces de viande et de la volaille de petits morceaux d'aluminium afin de prévenir la surcuisson. Il y a risque de production d'étincelles si l'aluminium est trop proche des parois du four, ce qui pourrait causer des dommages au four.
Plat à brunir	oui	Les plats à brunir ont été conçus pour la cuisson micro-ondes seulement. Consulter le mode d'emploi du plat à brunir. Ne jamais préchauffer un plat à brunir pendant plus de 6 minutes.
Sac en papier brun	non	Risque d'incendie.
Vaisselle allant au four micro-ondes	oui	Lire les directives du fabricant avant d'utiliser. Certains récipients sont identifiés « Pour four micro-ondes ».
Vaisselle non identifiée	non	Voir ESSAI DE RÉCIPIENTS à la page 72.
Contenant jetable en papier-polyester	oui	Certains aliments surgelés sont emballés dans de tels contenants. Disponibles dans le commerce.
Emballage repas-minute avec poignée métallique	non	Les poignées métalliques risquent de former des étincelles.
Plateau de repas surgelés en métal	non	Le métal peut produire des étincelles et endommager le four.
Plateau de repas surgelés allant au four micro-ondes	oui	Chauffer un seul plateau à la fois dans le four.
Bocal en verre	non	La plupart des bocaux en verre ne résistent pas à la chaleur. Ne pas les utiliser pour la cuisson et le réchauffage.
Récipient en verre et céramique (résistant à la chaleur, allant au four)	oui	Idéal pour la cuisson micro-ondes. (Voir ESSAI DE RÉCIPIENTS à la page 72).

Article	Micro-ondes	Commentaires
Plat métallique	non	Non conseillé pour les fours micro-ondes. Le métal peut produire des étincelles et endommager le four.
Attache métallique	non	Risque de formation d'étincelles et d'incendie.
Sac de cuisson	oui	Procéder selon les directives du fabricant. Fermer à l'aide de l'attache en nylon incluse, d'une bande découpée du sac ou d'une ficelle. Éviter les attaches en métal. Percer six fentes de 1 cm (1/2 po) dans le haut du sac.
Assiette et tasse en papier	oui	Sert à réchauffer les aliments ou pour une cuisson de courte durée comme celle de saucisses fumées.
Serviette en papier et essuie-tout	oui	Sert pour réchauffer les petits pains et les sandwiches, seulement si indiqué tout comme sans danger pour le four micro-ondes.
Serviette et essuie-tout en papier recyclé	non	Ils peuvent contenir des impuretés qui risqueraient d'occasionner des étincelles.
Papier parchemin	oui	S'utilise pour couvrir afin d'éviter les éclaboussures. Sans dangers pour les fours micro-ondes, micro-ondes/convection et fours conventionnels.
Plastique: récipient allant au four micro-ondes	oui, avec précaution	Doit être identifié « Pour four micro-ondes ». Consulter les directives du fabricant pour l'emploi recommandé. Certains contenants en plastique pour micro-ondes ne conviennent pas aux aliments à haute teneur en sucre ou en gras. Ce matériau absorbe les micro-ondes et devient chaud.
Plastique, mélamine	non	Ce matériau absorbe les micro-ondes et devient CHAUD !
Verre en mousse de polystyrène (« styrofoam »)	oui, avec précaution	Peut fondre si la température est élevée. Sert à amener l'aliment à une basse température de service.
Pellicule plastique	oui	Sert à couvrir les aliments afin de maintenir l'humidité à l'intérieur et éviter les éclaboussures. Doit être identifié « Pour four micro-ondes ». Vérifier les directives sur l'emballage.
Paille, osier, bois	oui, avec précaution	Utiliser pour le réchauffage de courte durée ou pour amener les aliments à une faible température de service. Le bois peut sécher, se fendre ou craqueler dans le four.
Thermomètre pour micro-ondes	oui	N'utiliser que des thermomètres à viande ou à bonbons pour four micro-ondes.
Thermomètre pour four traditionnel	non	Ne pas utiliser dans un four micro-ondes. peut causer des étincelles et devient chaud.
Papier paraffiné	oui	Sert à couvrir les aliments afin de maintenir l'humidité à l'intérieur et éviter les éclaboussures.

Essai de récipients

Pour vérifier si un récipient peut aller au four micro-ondes

Remplir d'eau froide un contenant pour micro-ondes et le déposer dans le four avec le récipient à tester; **chauffer une (1) minute à P10 (ÉLEVÉE)**. Si le récipient est demeuré à la température ambiante alors que l'eau est chaude, il peut être utilisé dans un four à micro-ondes. Si par contre le récipient est chaud cela veut dire qu'il a absorbé des micro-ondes, auquel cas il ne doit pas être utilisé pour ce mode de cuisson. Ne pas utiliser ce test avec des récipients en plastique.

Tableaux et conseils

Ce tableau contient une sélection de plats et les réglages de cuisson optimum. Vous pouvez utiliser le tableau pour connaître le réglage, le type de chaleur et la température micro-ondes qui conviennent le mieux à votre plat et quels accessoires utiliser.

Dégeler, faire chauffer et cuire au micro-ondes

Les tableaux suivants vous proposent plusieurs options et valeurs d'ajustement pour le micro-ondes.

Les durées précisées dans les tableaux sont à titre indicatif seulement. Elles peuvent varier en fonction des ustensiles de cuisine employés, de la qualité, de la température et de la densité des aliments.

Les intervalles de temps sont souvent précisés dans les tableaux. Réglez la durée la plus courte en premier, puis augmentez si nécessaire.

Il est possible que vos quantités diffèrent de celles qui figurent sur les tableaux.

Vous pouvez appliquer un principe de base :

- doublez la quantité – doublez la durée de cuisson,
- diminuez la quantité de moitié – réduisez la durée de moitié.

Placez le plat à cuisson au centre du plateau en céramique. Les aliments absorberont les micro-ondes qui se déplacent de tous les côtés.

Décongélation

- Mettez les aliments congelés dans un récipient ouvert et disposez le tout sur le plateau en céramique.
- Les morceaux délicats, tels que les cuisses et les ailes de poulet ou les bardes de graisse qui entourent les rôtis peuvent être recouverts par de petits morceaux d'aluminium. L'aluminium ne doit pas toucher les parois du four. Vous pouvez retirer l'aluminium à mi-décongélation.
- Retournez ou remuez les aliments une ou deux fois pendant la décongélation. Les gros morceaux doivent être tournés plusieurs fois. Retournez pour éliminer tout liquide produit par la décongélation.
- Laissez les aliments se décongeler à température ambiante pendant 10 minutes ou jusqu'à 1 heure de plus de façon à ce que la température soit uniforme. Vous pouvez retirer les abats de la volaille à ce stade.

	Quantité	Puissance	Durée de décongélation approx.	Ustensiles de cuisson au four	Conseils
Morceaux de viande entiers, p. ex. boeuf, porc, veau avec l'os ou désossé	2 lb	P2 P1	14 min 15 à 20 min	récipient plat	
Boeuf, porc et veau coupé en dés ou en tranches	1 lb	P2 P1	6 min 11 à 16 min	récipient plat	retournez deux fois pour enlever les morceaux de viandes qui se sont détachés

	Quantité	Puissance	Durée de décongélation approx.	Ustensiles de cuisson au four	Conseils
Viande hachée mélangée	1 lb	P2 P1	8 min 10 à 13 min	réipient plat	retournez une fois pour enlever les morceaux de viandes qui se sont détachés
	2 lb	P2 P1	10 - 12 min. 25 - 30 min.	réipient plat	retournez deux fois pour enlever les morceaux de viandes qui se sont détachés
Volaille	2,6 lb	P2	23 à 27 min	réipient plat	retournez à mi-cuisson
	3,5 lb	P2 P1	20 à 26 min 25 à 30 min		retournez plusieurs fois
Portions de volaille	1,8 lb	P2 P1	10 min 18 à 20 min	réipient plat	retournez plusieurs fois
Filet de poisson, darne de poisson, tranches de poisson	14 oz	P2 P1	5 à 7 min 12 à 17 min	réipient plat	retournez à mi-cuisson
	2 lb	P2 P1	4 à 6 min 18 à 22 min	réipient plat	retournez à mi-cuisson
2 poissons entiers chacun	9 oz	P2 P1	4 min 12 à 16 min	réipient plat	retournez à mi-cuisson
Fruit, p. ex. framboises	9 oz	P2	6 à 8 min	réipient plat	
	1 lb	P2 P1	6 à 8 min 9 à 12 min	réipient plat	
Pain, entier	1 lb	P2 P1	3 min 4 à 8 min	plateau tournant	retournez une fois
	2 lb	P2 P1	5 - 7 min 10 - 14 min	réipient plat	retournez une fois
Pâtisseries, sèches, p. ex. gâteau de Savoie	1 lb	P2 P1	3 min 5 à 10 min	plateau tournant	retournez deux fois

Décongélation, réchauffage and cuisson des aliments congelés

Sortir les plats cuisinés de leur emballage. Ils se réchaufferont plus rapidement et de manière plus homogène si vous les placez dans des plats pour four à micro-ondes. Certaines parties de la viande peuvent se réchauffer à des vitesses différentes.

Les aliments posés à plat se réchauffent plus rapidement que s'ils sont empilés. Par conséquent, il convient d'étaler les aliments bien à plat dans le récipient. Ne pas disposer plusieurs couches d'aliments les unes sur les autres.

Toujours mettre un couvercle sur le récipient. Si vous n'avez pas de couvercle convenable pour couvrir le récipient, utilisez une assiette ou du papier aluminium spécial micro-ondes.

Il faudrait remuer ou retourner les aliments deux ou trois fois pendant le réchauffage.

Une fois les plats réchauffés, laissez-les reposer pendant encore 2 à 5 minutes pour que la température des aliments se stabilise.

Dans une large mesure, le goût individuel des aliments est conservé. Vous pouvez donc utiliser moins de sel et d'épices.

	Quantité	Puissance	Durée de cuisson approx.	Ustensiles de cuisson au four	Conseils
Menu, repas plat unique, plats cuisinés composés de deux à trois parties	12 à 16 oz	P5	10 à 17 min	plat muni d'un couvercle	retournez/remuez si nécessaire à mi-cuisson
Soupes	1 lb	P8	8 à 12 min	plat aux bords hauts	remuez à mi-cuisson
Ragoûts	1 lb 2 lb	P8 P8	8 à 10 min 15 à 19 min	plat muni d'un couvercle	remuez deux fois remuez trois fois
Tranches ou morceaux de viande en sauce	1 lb 2 lb	P8 P8	7 à 10 min 16 à 20 min	plat muni d'un couvercle	remuez deux fois remuez trois fois
Poisson, p. ex. filets	14 oz	P6	11 à 13 min	récipient plat muni d'un couvercle	ajouter 2 à 3 cuillères à soupe d'eau
Garnitures, p. ex. riz, pâtes alimentaires	6 oz, 8 oz, 9 oz	P6 P6	3 à 6 min 4 à 7 min	récipient plat muni d'un couvercle	ajoutez 1 cuillère à soupe d'eau, remuez une fois
Légumes, p. ex. petits pois, brocoli, et carottes	10 à 11 oz 1,3 lb	P6 P6	9 à 13 min 13 à 18 min	plat aux bords hauts muni d'un couvercle	ajoutez 2 à 3 cuillères à soupe d'eau, remuez deux fois

Réchauffage des aliments

Sortir les plats cuisinés de leur emballage. Ils se réchaufferont plus rapidement et de manière plus homogène si vous les placez dans des plats pour four à micro-ondes. Certaines parties de la viande peuvent se réchauffer à des vitesses différentes.

Les liquides tels que l'eau, le café ou le thé peuvent surchauffer. Ils peuvent être chauffés au-delà du point d'ébullition sans avoir l'apparence de bouillir. Par exemple, lorsque le contenant est retiré du four, le bouillonnement ou l'ébullition n'est pas toujours visible. **CECI PEUT ENTRAÎNER LE DÉBORDEMENT SOUDAIN DE LIQUIDES TRÈS CHAUDS LORSQUE LE RÉCIPIENT EST DÉPLACÉ OU QU'UN USTENSILE EST INTRODUIT DANS LE LIQUIDE.**



AVERTISSEMENT: Les liquides chauds peuvent déborder s'ils ne sont pas mélangés à l'air. Ne pas faire chauffer de liquides dans le micro-ondes sans les avoir tout d'abord remués. Lorsqu'on retarde le point d'ébullition, le liquide atteint le point d'ébullition sans produire les bulles de vapeur habituelles. Le liquide peut déborder beaucoup ou émettre des projections même si le récipient ne vibre que légèrement. Ceci peut entraîner des lésions et des brûlures.

Toujours mettre un couvercle sur le récipient. Si vous n'avez pas de couvercle convenable pour couvrir le récipient, utilisez une assiette ou du papier aluminium spécial micro-ondes.

Il faudrait remuer ou retourner les aliments plusieurs fois pendant le réchauffage. Surveiller la température.

Une fois les plats réchauffés, laissez reposer pendant encore 2 à 5 minutes pour que la température des aliments se stabilise.

	Quantité	Puissance	Durée de cuisson approx.	Ustensiles de cuisson au four	Conseils
Plat complet, plat unique, plat cuisiné (composé de 2 à 3 aliments)	12 à 18 oz	P7	6 à 9 min	assiette munie d'un couvercle	
Boissons	2 x 7 oz	P10	2 à 3 min	tasse	
Ragoûts	1 lb	P8	5 à 8 min	plat aux bords hauts muni d'un couvercle	
	2 lb	P8	9 à 13 min		
Tranches ou morceaux de viande en sauce	1 lb	P8	5 à 7 min	plat aux bords hauts muni d'un couvercle	
	2 lb	P8	8 à 12 min		
Légumes précuits, p. ex. petits pois, brocoli, et carottes	5 oz,	P6	2 à 3 min	plat muni d'un couvercle	ajoutez 1 cuillère à soupe d'eau
	10 oz, 11 oz	P6	3 à 5 min		
Légumes, en boîte	10 à 14 oz	P6	3 à 6 min	plat aux bords hauts muni d'un couvercle	
Soupe	4 x 6 oz	P10	4 à 5 min	bol à soupe	

Cuisson des aliments

Toujours faire cuire les aliments dans des plats couverts. Remuez ou retournez les aliments pendant la cuisson.

Dans une large mesure, le goût individuel des aliments est conservé. Vous pouvez donc utiliser moins de sel et d'épices.

Les aliments posés à plat se réchauffent plus rapidement que s'ils sont empilés. Pour cette raison, il convient d'étaler les aliments bien à plat dans le récipient. Si possible, ne pas disposer plusieurs couches d'aliments les uns sur les autres.

Une fois les plats cuits, laissez-les reposer pendant encore 2 à 5 minutes pour que la température des aliments se stabilise.

Poisson et fruits de mer

Nettoyer le poisson avant de commencer la recette. Disposer le poisson en une seule couche ; ne pas faire chevaucher les morceaux. Mettre les morceaux les plus épais vers l'extérieur du plat. Les crevettes et les coquilles Saint-Jacques doivent être disposées en une seule couche.

Placer le plat sur le plateau tournant. Recouvrez d'un film étirable. Faites cuire au niveau de puissance et selon la durée minimale recommandés dans le tableau. À mi-cuisson, modifiez la répartition des aliments, remuez les crevettes et les coquilles Saint-Jacques, et retournez les filets de poisson. Laissez reposer, couvert, pendant 5 minutes.

Vérifiez la cuisson des aliments avant de cuire plus longuement . Le poisson et les fruits de mer doivent être d'une couleur opaque et le poisson doit se défaire facilement à la fourchette. Si la cuisson est insuffisante, remettez au four et continuez à cuire pendant 30 à 60 secondes.

	Quantité	Puissance	Durée de cuisson approx.	Ustensiles de cuisson au four	Conseils
Filets de poisson	14 oz	P4	7 à 10 min	plat muni d'un couvercle	ajoutez 1 à 3 cuillères à soupe d'eau ou de jus de citron
Crevettes, de taille moyenne, pelées et nettoyées	1 lb	P6	4 à 6 min	plat muni d'un couvercle	ajoutez 1 cuillères à soupe d'eau ou de jus de citron
Poisson entier, p. ex. truite non farcie	1 lb 2 lb	P8 P8	5 à 8 min 9 à 13 min	plat aux bords hauts muni d'un couvercle	ajoutez 1 à 3 cuillères à soupe d'eau ou de jus de citron

Volaille

Aucune technique spéciale n'est requise :

La volaille doit être préparée de la même façon que dans un four conventionnel. Assaisonnez si vous le désirez.

La volaille doit être soigneusement décongelée. Retirer les abats et les pinces en métal.

Percez la peau et badigeonnez légèrement d'huile végétale (à moins que la volaille ne s'auto-arrose pendant la cuisson).

Toutes les volailles doivent être disposées dans un plat pour four à micro-ondes muni d'un couvercle et mises sur le plateau tournant.

Faites cuire conformément aux conseils de cuisson figurant ci-dessous. Retournez le poulet entier ou le poulet de Cornouailles à mi-cuisson. Étant donnée leur forme, les volailles ont tendance à cuire de façon inégale, en particulier aux endroits les plus osseux. Le fait de tourner la volaille permet aux morceaux plus osseux d'être bien cuits.

Laisser reposer pendant 5 à 10 minutes. La durée de repos est très importante, car elle permet de terminer le processus de cuisson.

Assurez-vous que la volaille est bien cuite avant de la consommer. Les volailles entières sont cuites à point lorsque le jus qui s'écoule est clair. À l'aide d'un couteau pointu, percez la partie la plus épaisse de la volaille pour vous assurer que le jus est clair et que la chair est ferme.

Remarque: Les durées figurant ci-dessus sont données à titre indicatif seulement. Respectez les différences de goûts et préférences personnelles. Les durées de cuisson peuvent également varier selon la forme et la composition des aliments et la façon dont ils sont découpés.

Si une volaille entière est farcie, son poids avec le farci devra servir de base au calcul de la durée de cuisson.

	Puissance	Durée de cuisson approx.	Ustensiles de cuisson au four	Conseils
Poulet (jusqu'à 4 lb)	P6	9 à 11 min/lb	plat muni d'un couvercle	retournez à mi-cuisson
Morceaux de poulet (jusqu'à 2 livre ½)	P6	8 à 10 min/lb	plat muni d'un couvercle	
Poulets de Cornouailles	P6	8 à 9 min/lb	plat muni d'un couvercle	retournez à mi-cuisson

Guide de cuisson des légumes frais au micro-ondes

Les poids donnés dans le tableau de cuisson des légumes frais correspondent au poids à l'achat après avoir pelé et paré les légumes. Coupez, tranchez ou parez les légumes comme indiqué dans le tableau. Mettez les légumes dans une cocotte. Ajoutez la quantité d'eau recommandée dans le tableau. Ajoutez le sel après la cuisson.

Les légumes entiers, tels que les pommes de terre, doivent être percés plusieurs fois à l'aide d'une fourchette avant la cuisson. Disposez les légumes dans un plat pour four à micro-ondes et mettez dans le four. Disposez les pommes de terre en cercle autour du plat. Faire cuire les pommes de terre à découvert.

Mettez un couvercle ou recouvrez d'un film étirable. Faites cuire pendant la durée de cuisson recommandée dans le tableau.

Une fois la cuisson terminée, remuer les légumes. Laissez reposer avec un couvercle avant de servir. Laissez reposer les légumes coupés en morceaux pendant 3 minutes. Laissez reposer les légumes entiers pendant 5 minutes.

	Quantité	Puissance	Durée de cuisson approx.	Conseils
Artichauts	2 x 8 à 12 oz	P5	11 à 14 min	ajoutez du jus de citron après les avoir coupés retournez à mi-cuisson ajoutez 1 cuillère à soupe d'eau pour chaque 3,5 oz
	4x8 - 12 oz	P5	17 à 20 min	ajoutez 1 cuillère à soupe d'eau pour chaque 3,5 oz
Asperges	1 lb	P6	10 à 15 min	ajoutez 1 cuillère à soupe d'eau pour chaque 3,5 oz retournez au 1/3 et aux 2/3 de la durée de cuisson
Brocoli, coupé en tiges	1 lb	P6	9 à 13 min	ajoutez 1 cuillère à soupe d'eau pour chaque 3,5 oz mélangez au 1/3 et aux 2/3 de la durée de cuisson
Choux de Bruxelles	1 lb	P5	9 à 13 min	ajoutez 1 cuillère à soupe d'eau pour chaque 3,5 oz mélangez au 1/3 et aux 2/3 de la durée de cuisson
Chou-fleur, coupé en bouquets	1 lb	P6	12 à 17 min	ajoutez 1 cuillère à soupe d'eau pour chaque 3,5 oz mélangez au 1/3 et aux 2/3 de la durée de cuisson
Carottes, en rondelles de 1/4 de pouce d'épaisseur	1 lb	P5	11 à 15 min	ajoutez 1 cuillère à soupe d'eau pour chaque 3,5 oz mélangez au 1/3 et aux 2/3 de la durée de cuisson
Carottes, jeunes	1 lb	P5	11 à 16 min	ajoutez 1 cuillère à soupe d'eau pour chaque 3,5 oz mélangez au 1/3 et aux 2/3 de la durée de cuisson

	Quantité	Puissance	Durée de cuisson approx.	Conseils
Maïs, frais en épis	1 épis	P7	4 à 7 min	ajoutez 2 cuillères à soupe d'eau
	2 épis	P7	8 à 12 min	retournez aux $\frac{2}{3}$ de la durée de cuisson
	4 épis	P7	15 à 19 min	ajoutez 2 cuillères à soupe d'eau retournez aux $\frac{2}{3}$ de la durée de cuisson ajoutez $\frac{1}{4}$ de tasse d'eau retournez aux $\frac{2}{3}$ de la durée de cuisson
Pommes de terre blanches	1 x 9 à 10,5 oz	P7	7 à 8 min	mouiller retournez à mi-cuisson
	2 x 9 à 10,5 oz	P7	10 à 12 min	
	4 x 9 à 10,5 oz	P7	14 à 15 min	
Courgette, en rondelles de $\frac{1}{4}$ de pouce d'épaisseur	1 lb	P5	8 à 12 min	ajoutez 1 cuillère à soupe d'eau pour chaque 3,5 oz mélangez au $\frac{1}{3}$ et aux $\frac{2}{3}$ de la durée de cuisson
Feuilles d'épinard	1 lb	P5	9 à 12 min	ajoutez 1 cuillère à soupe d'eau pour chaque 3,5 oz mélangez au $\frac{1}{3}$ et aux $\frac{2}{3}$ de la durée de cuisson
Potiron, moitiés disposez dans le plat, le côté tranché vers le bas	1,0 à 1.2 lb	P8	8 à 12 min	ajoutez 2 cuillères à soupe d'eau

Guide de cuisson du riz et des céréales

Le riz et les céréales ont tendance à beaucoup mousser pendant la cuisson. Pour cette raison, il convient d'utiliser un plat aux bords hauts.

Utilisez un couvercle lors de la cuisson du riz uniquement.

Laissez le riz reposer pendant 5 à 10 minutes avant de servir.

Laissez les céréales reposer pendant 2 à 5 minutes avant de servir.

		Puissance	Durée de cuisson approx.	Conseils
Riz	Riz complet 1 tasse	P10 P2	6 à 7½ min 25 à 30 min.	ajoutez 2 tasses d'eau froide mélangez après l'étape 1 et avant de laisser reposer
	Riz long 1 tasse	P10 P2	6 à 7½ min 14 à 18 min.	ajoutez 2 tasses d'eau froide mélangez après l'étape 1 et avant de laisser reposer
	Riz rond (risotto) 1 tasse	P10 P2	6 à 8 min. 13 à 18 min.	ajoutez 2 tasses ½ d'eau froide mélangez après l'étape 1 et avant de laisser reposer
Céréales, semoule de blé temps de cuisson 2,5 min	1 portion 3 c. à s.	P10	2 à 3 min	ajoutez ¾ tasse de lait froid remuez au bout de 1,5 minute et ensuite toutes les
	2 portions 6 c. à s.	P10	3 à 4½ min	ajoutez 1½ tasse de lait froid remuez au bout de 2,5 minutes et ensuite toutes les
	4 portions ¾ tasse	P10	7 à 8 min	ajoutez 3 tasses de lait froid remuez au bout de 3,5 minutes et ensuite toutes les
Porridge	1 portion ⅓ tasse	P9	2 à 3 min	ajoutez ¾ de tasse d'eau froide, remuez deux fois
	2 portions ⅔ tasse	P9	3 à 4 min	ajoutez 1 tasse ½ d'eau froide, remuez deux fois
	4 portions 1 ⅓ tasse	P9	6 à 7 min	ajoutez 3 tasses d'eau froide, remuez deux fois

Tableau de cuisson des gâteaux et préparations de biscuits

Préparez la pâte en suivant les indications de l'emballage.

Remarque: Pour faire cuire un gâteau à deux étages de 8 ou 9 pouces, chaque étage doit cuire séparément. Mettez la grille sur le plateau en céramique. Préchauffez le four à la température indiquée dans le tableau. Disposez le moule sur la grille.

Pour les moules à muffins avec caissettes en aluminium ou en papier. Remplissez aux $\frac{2}{3}$.

Graissez et/ou farinez les moules à gâteau en aluminium ou graissez les tôles à biscuits en suivant les indications de l'emballage. Faites cuire pendant la durée recommandée dans le tableau. Pour vérifier la cuisson, insérez un cure-dent et il doit ressortir propre. Laissez refroidir sur une grille à pâtisserie en suivant les indications de l'emballage. Démoulez et laissez complètement refroidir.

Toujours préchauffer le four.

Vérifiez la cuisson quand la durée de cuisson minimum indiquée sur l'emballage est atteinte.

	Accessoire	Réglage	Température du four
Préparation de carrés au chocolat 14,1 à 23,6 oz		cuisson à convection	325 °F
préparation de gâteau Bundt 22,5 à 29,75 oz		cuisson à convection	réduire la température indiquée sur l'emballage de 25 °F
Préparation de gâteau emballée 18,25 à 20,25 oz	Moule à savarin Moule à gâteau des anges Muffins Moule de 9 po Gâteau jaune et tous parfums	cuisson à convection	réduire la température indiquée sur l'emballage de 50 °F
Pâte à biscuits réfrigérée 15 à 27 oz		cuisson à convection	325 °F
Préparation de biscuits emballée 14 à 36 oz		cuisson à convection	300 °F

Effectuez les tests de plats selon EN 60705, IEC 60705

La qualité et la fonction des dispositifs composites du micro-ondes sont inspectées par les institutions d'inspection à l'aide de ces plats.

Décongélation au micro-ondes

Plat	Puissance du micro-ondes, durée de cuisson en minutes	Remarque
Viande hachée	P2 7 à 8 min	Mettez le plat en Pyrex de 22 cm de diamètre sur le plateau tournant.
	P1 13 à 15 min	

Cuisson au micro-ondes

Plat	Puissance du micro-ondes, durée de cuisson en minutes	Remarque
Oeufs Lait	P3 25 à 30 min	Mettez le plat en Pyrex sur le plateau tournant.
Gâteau de Savoie	P6 8 à 10 min	Mettez le plat en Pyrex de 22 cm de diamètre sur le plateau tournant.
Pain de viande	P6 18 à 23 min	Mettez le plat en Pyrex sur le plateau tournant.

Nettoyage et entretien

Entretien

ATTENTION: Il est important de maintenir le four propre et sec. Les résidus d'aliments et la condensation peuvent produire de la rouille ou des étincelles et endommager le four. Après le nettoyage, essuyer toutes les surfaces, incluant les événements d'aération, les joints d'étanchéité et sous le plateau de verre.

Avant le nettoyage

Débrancher le cordon d'alimentation. Si la prise n'est pas accessible, laisser la porte ouverte pendant le nettoyage. S'assurer que les pièces sont frais au toucher.

Après le nettoyage

S'assurer de bien remettre en place l'anneau à galets et le plateau, et d'appuyer sur la touche Pause/Stop pour effacer l'affichage.

Intérieur du four

Essuyer avec un linge humide après usage. Un détergent doux peut être utilisé au besoin. Ne pas utiliser un détergent puissant ou de la poudre à récurer.

L'intérieur du four est fabriqué d'acier inoxydable. Pour éviter que les aliments ne s'incrustent, nettoyer les éclaboussures d'aliments ou déversements de liquide à mesure qu'ils se produisent. Pour les taches tenaces, utiliser un détergent doux, un nettoyant non abrasif ou pulvériser avec un nettoyant tout usage et essuyer. Ne pas utiliser des détergers puissants sur la surface du four. Des tampons à récurer en plastique peuvent être utilisés.

Pour aider à déloger les taches avant le nettoyage, chauffer 500 ml (2 tasses) d'eau dans un verre à mesurer de 1 L (4 tasses) à haute intensité pendant 5 minutes ou jusqu'à ébullition.

Remarque : Ne pas utiliser des nettoyeurs sur le dessus de four.

À l'extérieur des surfaces de four

Nettoyer avec un chiffon humide. Afin de prévenir tout risque d'endommager les pièces internes, veiller à ce qu'aucun liquide ne s'infilte par les orifices de ventilation.

La vapeur sera dégagée pendant la cuisson et s'accumulera sur les parois et la porte du four. Pendant des conditions de haute humidité, de la vapeur peut s'accumuler sur l'extérieur du mal, ce qui est tout à fait normal. Essuyer à sec avec un chiffon doux.

Port de four

Essuyer avec un chiffon doux toute vapeur accumulée sur la surface intérieure ou sur le pourtour extérieur de la porte. Les aliments, pendant la cuisson, dégagent toujours de la vapeur. (Il peut arriver qu'il y ait condensation sur des surfaces plus froides, telles que la porte du four. Ce phénomène est tout à fait normal.

Panneau de commande

Dans le cas où le panneau des commandes deviendrait mouillé, l'essuyer avec un chiffon sec. Ne pas utiliser un détergent puissant ou de la poudre à récurer.

Le panneau est recouvert d'une pellicule protectrice amovible pour prévenir les rayures. Il est possible que de petites bulles d'air se forment dessous la pellicule. (Conseil pratique – Pour enlever la pellicule, coller du ruban adhésif sur un de ses coins, puis tirer délicatement.)

Après le nettoyage du panneau de commande, laisser la porte de four ouverte pour empêcher que le four ne soit mis sous tension par inadvertance. Après le nettoyage, appuyer sur Pause/Stop pour revenir à l'heure du jour.

Plateau en verre

Retirer le plateau et le laver dans de l'eau savonneuse ou le mettre au lave-vaisselle.

Accessoires

Les accessoires pour four peuvent être lavés dans de l'eau chaude savonneuse, dans un lave-vaisselle ou frottés avec des tampons en plastique.

Un lavage quotidien évitera l'accumulation d'odeurs et de taches.

Anneau à galets et sole du four:

Nettoyer la sole du four avec un chiffon humecté de détergent doux ou de nettoyant à vitre, puis essuyer. L'anneau à galets peut être lavé dans de l'eau savonneuse ou dans un lave-vaisselle. S'assurer de garder ces pièces propres afin d'éviter tout bruit excessif.

Les vapeurs de cuisson s'accumulent avec l'usage, mais non aucune incidence sur la sole du four ou les anneaux à galets. Quand on retire l'anneau à galets de la sole pour le nettoyage, s'assurer de le remettre à la bonne place.

Entretien

Guide de dépannage

Les situations suivantes ne représentent aucune anomalie :

Le four micro-ondes crée des interférences sur le téléviseur.

- Il se peut que certaines interférences soient produites sur la réception radio ou télévisée lors de l'utilisation du four micro-ondes. Ces interférences sont semblables à celles produites par les mélangeurs, aspirateurs, séchoirs à cheveux, etc. Elles n'indiquent pas une défectuosité du four.

De la condensation s'accumule sur la porte et de l'air chaud s'échappe des événements d'aération.

- Pendant la cuisson, de la vapeur et de la chaleur s'échappent de l'aliment. La majorité de cette vapeur et chaleur est évacuée avec l'air qui circule dans le four. Toutefois, il peut arriver qu'il y ait condensation sur des surfaces plus froides, telles que la porte du four. Ce phénomène est tout à fait normal. Essuyer le four après usage.

Le four dégage une odeur et génère de la fumée en mode Four.

- Il est essentiel de bien essuyer régulièrement le four après la cuisson. Les matières grasses et la graisse laissées sur le plafond et les parois produiront éventuellement de la fumée.

Problème	Cause probable	Solution
Le four ne fonctionne pas.	Le four n'est pas bien branché.	Débrancher le four pendant 10 secondes puis le rebrancher.
	Le disjoncteur est déclenché ou le fusible a sauté.	Enclencher le disjoncteur ou remplacer le fusible.
	La prise secteur est défectueuse.	Essayer un autre appareil sur la prise secteur.
La cuisson ne peut débuter.	La porte n'est pas complètement fermée.	Fermer la porte.
	Start n'a pas été appuyée après la programmation.	Appuyer sur Start .
	Un autre programme est déjà en mémoire.	Appuyer sur Pause/Stop pour annuler la programmation en mémoire et reprogrammer le four.
	La programmation est erronée.	Recommencer la programmation selon les directives du manuel.
	Pause/Stop a été appuyée accidentellement.	Recommencer la programmation.
Le plateau en verre est instable.	Le plateau en verre ne repose pas adéquatement sur l'anneau à galets ou il y a des particules d'aliment sous l'anneau.	Retirer le plateau et l'anneau à galets. Nettoyer avec un linge humide et remettre l'anneau et le plateau en place.
Durant le fonctionnement, le plateau en verre est bruyant.	L'anneau à galets et la sole du four sont sales.	Nettoyer le four en consultant la section Entretien du four micro-ondes .
Le mot « LOCK » apparaît sur l'écran d'affichage.	Le verrouillage de sécurité a été activé.	Voir la section Réglages .

Service

Pour vos dossiers

Le numéro de série de ce produit peut se trouver sur le côté gauche du panneau de commande. Inscrire le numéro de modèle et le numéro de FD No./No FD de ce four dans l'espace fourni et conserver ce manuel comme archive permanente de votre achat pour des références futures.

N° de modèle _____
FD No./No FD _____
Date d'achat _____

Spécifications

Source d'alimentation		120 V, 60 Hz
Consommation	Micro-ondes Réchauffeur	1 450 W 1 500 W
Puissance de sortie :	Micro-ondes* Réchauffeur	1 000 W 1 400 W
Dimensions extérieures (H x L x P)		14 ¹³ / ₁₆ " x 23 ⁷ / ₈ " x 19 ⁵ / ₁₆ " 376 mm x 606 mm x 491 mm
Dimensions sole de four (H x L x P)		9 ¹ / ₂ " x 16 ¹ / ₄ " x 16 ¹³ / ₁₆ " 242 mm x 412 mm x 426 mm
Fréquence		2 450 MHz
Poids net		Env. 48 lb (22 kg)
Trousse de garniture 27 po	HMT7750 HMT7760 HMT7720	pour HMB7050 (Inox) pour HMB7060 (Noir) pour HMB7020 (Blanc)
Trousse de garniture 30 po	HMT7050 HMT7060 HMT7020	pour HMB7050 (Inox) pour HMB7060 (Noir) pour HMB7020 (Blanc)

* Essai IEC
Les spécifications peuvent être modifiées sans préavis.

Garantie

Garantie d'un an

La garantie s'applique pendant un an à partir de l'installation ou date d'occupation dans une nouvelle résidence antérieurement inoccupée. Conservez votre reçu daté ou autre preuve d'installation/d'occupation.

Nous paierons pour :

Toutes les réparations et pièces de rechange qui se sont avérées défectueuses en raison d'un vice de fabrication ou de main-d'oeuvre.

Le service doit être fourni par un agent de service autorisé pendant les heures normales. Pour l'agence de service la plus proche, veuillez composer le 800-944-2904.

Nous ne paierons pas pour :

- Service par une agence non autorisée. Dommages ou réparations causés par le service d'une agence non autorisée ou d'utilisation de pièces non autorisées.
- Les interventions de service pour :
 - a) Vous apprendre comment utiliser l'appareil.
 - b) Corriger les défauts ou les réparations dus à une installation inadéquate. Vous êtes responsable du câblage électrique et autres installations de branchement.
- Rétablissement des disjoncteurs ou remplacement des fusibles.
- Dommages causés à la suite d'un accident, d'une modification, d'une mauvaise utilisation, d'un abus, d'une installation incorrecte ou d'une installation non conforme avec les codes électriques locaux ou les codes de plomberie, ou le stockage inapproprié de l'appareil.
- Main-d'oeuvre de service pendant la période de garantie limitée.
- Frais de déplacement et frais associés encourus lorsque le produit est installé dans un lieu avec un accès limité ou restreint (p. ex., vols, traversiers, régions éloignées).
- Réparations dues à un usage anormal.

Information générale

Cette garantie s'applique aux appareils utilisés dans applications résidentielles; elle ne couvre pas l'installation commerciale.

La garantie est pour des produits achetés et conservés dans les 50 États des États-Unis, le District de Columbia et le Canada. Si l'appareil est vendu par l'acheteur d'origine pendant la période de garantie, le nouveau propriétaire continuera d'être protégé en vertu de la garantie jusqu'à la date d'expiration de la période de garantie de l'acheteur d'origine.

Les produits pour utilisation au Canada doivent être achetés par l'entremise d'un distributeur canadien pour assurer la conformité et la couverture de garantie.

Cette garantie vous donne des droits légaux spécifiques, auxquels peuvent s'ajouter d'autres droits pouvant varier d'un État à l'autre.

Contenido

Acerca de este manual	89
Cómo se organiza este manual	89
PRECAUCIONES PARA EVITAR LA POSIBLE EXPOSICIÓN A UNA CANTIDAD EXCESIVA DE ENERGÍA DE MICROONDAS	89
Seguridad	90
INSTRUCCIONES DE SEGURIDAD IMPORTANTES	90
Cómo comenzar	98
Panel de control	98
Piezas y accesorios incluidos	99
Operación	100
Comenzar a usar el horno	100
Cómo aprovechar al máximo su electrodoméstico	102
Limpieza y mantenimiento	129
Cuidado y limpieza de su horno de microondas	129
Mantenimiento	130
Servicio técnico	132
Garantía	133

¿Preguntas?

1-800-944-2904

www.boschappliances.com

5551 McFadden Ave.
Huntington Beach, CA 92649

¡En caso de duda, no dude en dirigirse a
nosotros!

Acerca de este manual

Cómo se organiza este manual

Este manual contiene diversas secciones:

- La sección *Seguridad* describe los procedimientos importantes que pueden garantizarle su seguridad mientras usa el electrodoméstico.
- La sección *Cómo comenzar* describe las características y la funcionalidad del electrodoméstico, e incluye una descripción de su configuración y operación.
- La sección *Operación* describe cómo operar cada componente y aprovechar al máximo su rendimiento.
- La sección *Limpieza y mantenimiento* describe cómo limpiar y mantener el electrodoméstico.
- La sección *Servicio técnico* incluye consejos para resolver los problemas y la garantía.

Antes de usar el electrodoméstico, asegúrese de leer este manual. Preste especial atención a las *Instrucciones de seguridad importantes* que se encuentran al comienzo del manual.



PRECAUCIONES PARA EVITAR LA POSIBLE EXPOSICIÓN A UNA CANTIDAD EXCESIVA DE ENERGÍA DE MICROONDAS

No intente hacer funcionar este horno con la puerta abierta, ya que el funcionamiento con la puerta abierta puede tener como consecuencia una exposición nociva a la energía de microondas. Es importante no anular ni interferir con los enclavamientos de seguridad.

No coloque ningún objeto entre el frente del horno y la puerta ni permita que se acumulen suciedad ni restos de limpiador en las superficies sellantes.

No haga funcionar el horno si está dañado. Es de particular importancia que la puerta del horno cierre correctamente y que no haya daños en:

- la puerta (doblada)
- las bisagras y las trabas (rotas o flojas)
- los sellos y las superficies sellantes de la puerta.

Ninguna persona debe ajustar ni reparar el horno a menos que se trate de personal de servicio técnico adecuadamente calificado.

Seguridad



INSTRUCCIONES DE SEGURIDAD IMPORTANTES

LEA Y GUARDE ESTAS INSTRUCCIONES

Al utilizar electrodomésticos, deben seguirse precauciones de seguridad básicas, que incluyen las siguientes:



AVISO: Para reducir el riesgo de quemaduras, descarga eléctrica, incendio, lesiones a personas o exposición a un exceso de energía de microondas:

Lea todas las instrucciones antes de usar el electrodoméstico.

Lea y siga las **“PRECAUCIONES PARA EVITAR LA POSIBILIDAD DE EXPOSICIÓN A UN EXCESO DE ENERGÍA DE MICROONDAS”** específicas que se encuentran en la página 89.

Este electrodoméstico debe estar conectado a tierra. Conéctelo solo a una toma de corriente eléctrica correctamente conectada a tierra. Consulte la sección **“INSTRUCCIONES DE CONEXIÓN A TIERRA”** que se encuentra en la página 93.

Instale o ubique este electrodoméstico únicamente de acuerdo con las instrucciones de instalación provistas.

Algunos productos, tales como huevos enteros con y sin cáscara, botellas de cuello estrecho y recipientes sellados (por ejemplo, tarros de vidrio cerrados) pueden explotar y no deben ser calentados en este horno.

Utilice este electrodoméstico solo para su uso previsto, según se describe en este manual. No utilice productos químicos corrosivos, vapores ni productos no alimentarios en este electrodoméstico. Este tipo de horno está específicamente diseñado para calentar o cocinar alimentos. No está diseñado para uso industrial ni en laboratorios. El uso de productos químicos corrosivos al calentar o limpiar dañará el electrodoméstico y puede causar fugas de radiación.

No permita que los niños utilicen este electrodoméstico, a menos que sean supervisados atentamente por un adulto. No suponga que porque un niño ha dominado una destreza para cocinar es capaz de cocinar cualquier cosa.

No haga funcionar este electrodoméstico si tiene un cable o un enchufe dañados, si no funciona adecuadamente, ni si ha sido dañado o se ha caído.

Este electrodoméstico debe recibir servicio técnico únicamente por parte de personal de servicio técnico calificado. Comuníquese con el centro de servicio técnico autorizado más cercano para solicitar que lo examinen, reparen o ajusten.

No cubra ni bloquee ninguna abertura del electrodoméstico.

No guarde este electrodoméstico a la intemperie. No use este producto cerca del agua, por ejemplo, cerca de un fregadero de cocina, en un sótano húmedo, una alberca ni en lugares similares.

No sumerja el cable ni el enchufe en agua.

Mantenga el cable alejado de las superficies calientes.

No permita que el cable cuelgue del borde de la mesa ni de la superficie de trabajo.

- Al limpiar las superficies de la puerta y del horno que se unen al cerrar la puerta, aplique únicamente jabones o detergentes suaves, no abrasivos, con una esponja o un paño suave.



INSTRUCCIONES DE SEGURIDAD IMPORTANTES

LEA Y GUARDE ESTAS INSTRUCCIONES

Para reducir el riesgo de incendio en la cavidad del horno:

- No cocine los alimentos excesivamente. Preste especial atención al electrodoméstico cuando coloque adentro papel, plástico u otros materiales combustibles para facilitar la cocción.
- Retire los cierres de alambre de las bolsas de papel o plástico antes de colocarlas en el horno.
- Si los materiales que están dentro del horno se prenden fuego, mantenga cerrada la puerta del horno, apáguelo y desconecte el cable de alimentación o corte la alimentación eléctrica desde el panel de fusibles o disyuntor.
- No use la cavidad del horno para guardar cosas. No deje productos de papel, utensilios de cocina ni alimentos dentro de la cavidad del horno cuando no esté en uso.

Los líquidos, tales como el agua, el café o el té, pueden calentarse excesivamente. Pueden calentarse hasta pasar el punto de ebullición, sin que parezca que están hirviendo. Por ejemplo, no siempre se observan burbujas ni borbotones al retirar el recipiente del horno de microondas. ESTO PUEDE HACER QUE ESTOS LÍQUIDOS MUY CALIENTES HIERVAN Y SE DESBORDEN REPENTINAMENTE AL MOVER EL RECIPIENTE O COLOCAR UN UTENSILIO DENTRO DEL LÍQUIDO.

Para reducir el riesgo de lesiones a personas:

- No caliente el líquido excesivamente.
- Revuelva el líquido antes de calentarlo y a mitad del proceso.
- Sea muy cuidadoso al insertar una cuchara u otro utensilio en el recipiente.
- No use recipientes de lados rectos con cuellos estrechos.
- Después de calentarlo, deje reposar el recipiente en el horno de microondas durante un breve período antes de retirarlo.

No haga funcionar el horno mientras está vacío. Esto podría dañar el horno y provocar un incendio.

No seque ropa, periódicos ni otros materiales en el horno. No use periódicos ni bolsas de papel para cocinar. Se pueden producir incendios.

No use productos de papel reciclado a menos que su etiqueta indique que son aptos para usar en horno de microondas. Pueden contener impurezas que pueden generar chispas y provocar incendios.

Siempre use agarradores al retirar los elementos del horno. El recipiente para cocinar y la charola de cerámica pueden estar calientes aun cuando el horno esté frío.

Para evitar el riesgo de descarga eléctrica:

- No retire el panel externo del horno. Las reparaciones deben ser realizadas únicamente por un técnico de servicio calificado.

Para reducir el riesgo de exposición a la energía de microondas:

- No fuerce ni haga ajustes o reparaciones en la puerta, el marco del panel de control, los interruptores de enclavamiento de seguridad ni en ninguna otra parte del horno, ya que se pueden producir fugas de microondas.



INSTRUCCIONES DE SEGURIDAD IMPORTANTES

LEA Y GUARDE ESTAS INSTRUCCIONES

Para evitar el riesgo de incendio:

1. No haga funcionar el horno mientras está vacío. La energía de microondas se reflejará continuamente en todo el horno, lo que provocará el calentamiento en exceso y daños si no hay agua ni alimentos que absorban la energía.
2. No almacene materiales inflamables cerca del horno, ni sobre o dentro de él.
3. No seque ropa, periódicos ni otros materiales en el horno, ni tampoco use periódicos ni bolsas de papel para cocinar.
4. No golpee el panel de control. Pueden producirse daños en los controles.
5. No use productos de papel reciclado a menos que su etiqueta indique que son aptos para uso en horno de microondas. Los productos de papel reciclado pueden contener impurezas que pueden generar chispas.

Para evitar el riesgo de escaldaduras:

- Siempre se deben usar agarradores al retirar elementos del horno. El calor se transfiere de los alimentos calientes al recipiente para cocinar y del recipiente a la charola de cerámica. La charola de cerámica también puede estar muy caliente después de retirar el recipiente para cocinar del horno.

Charola de cerámica

1. No haga funcionar el horno sin el anillo giratorio y la charola de cerámica colocados.
2. No haga funcionar el horno sin que la charola de cerámica esté totalmente enganchada en el cubo impulsor. De lo contrario, se pueden producir una cocción inadecuada o daños al horno. Verifique que la charola de cerámica esté enganchada y gire correctamente, observando su rotación cuando presiona Inicio. **Nota:** La charola de cerámica puede girar en cualquiera de las dos direcciones.
3. Use únicamente la charola de cerámica diseñada específicamente para este horno. No la reemplace por ninguna otra charola de cerámica.
4. Si la charola de cerámica está caliente, déjela enfriar antes de limpiarla o colocarla en agua.
5. No cocine directamente sobre la charola de cerámica. Siempre coloque los alimentos en un recipiente apto para horno de microondas o sobre un rack colocado en un recipiente apto para horno de microondas.
6. Si el alimento o utensilio que se encuentra sobre la charola de cerámica toca las paredes del horno y hace que la charola deje de girar, esta automáticamente girará en la dirección opuesta.

Anillo giratorio

1. El anillo giratorio y el piso del horno deben limpiarse con frecuencia para evitar el ruido excesivo.
2. Siempre vuelva a colocar el anillo giratorio y la charola de cerámica en sus posiciones correctas.
3. Siempre debe usarse el anillo giratorio para cocinar junto con la charola de cerámica.

Rack del horno

Use este rack para hornear a fin de elevar los alimentos y asegurar que se calienten de manera adecuada. También se puede usar durante la cocción con microondas. No use ningún tipo de recipientes de metal para el modo Microondas. Los recipientes de metal producirán arcos eléctricos durante el modo Microondas.

Funcionamiento del motor del ventilador

Luego de usar el horno, el motor del ventilador gira para enfriar los componentes eléctricos. Esto es perfectamente normal, y puede retirar los alimentos del horno mientras el ventilador está funcionando.

INSTRUCCIONES DE INSTALACIÓN Y CONEXIÓN A TIERRA

Examine su horno

Desembale el horno, retire todo el material de embalaje y examine el horno para asegurarse de que no tenga daños tales como abolladuras, trabas de puerta rotas ni rajaduras en la puerta. Si se encuentra dañado, notifique al distribuidor de inmediato. No instale el horno si se encuentra dañado.

Ubicación del horno

1. El horno debe colocarse en una superficie plana y estable. Coloque la superficie del frente de la puerta a una distancia de tres pulgadas o más del borde superior de la superficie de trabajo para evitar que el horno de microondas se vuelque accidentalmente durante el uso normal. Para su correcto funcionamiento, el horno debe tener un flujo de aire suficiente. Deje un espacio de 3 pulgadas (7.6 cm) a ambos lados del horno y un espacio de 1 pulgada (2.5 cm) sobre el horno.

La altura de instalación es de 36 pulgadas (91.5 cm) desde el nivel del piso.

- No bloquee los orificios de ventilación. Si se bloquean durante el funcionamiento, el horno puede calentarse excesivamente y dañarse.
 - No ubique el horno cerca de una superficie caliente y húmeda, como una cocina de gas o eléctrica, o un lavavajillas.
 - No haga funcionar el horno cuando la humedad ambiente sea excesiva.
2. Este horno ha sido fabricado para uso doméstico únicamente. No está aprobado ni probado para uso en vehículos móviles, embarcaciones ni para uso comercial.

Consulte la garantía. Si tiene alguna pregunta, comuníquese con el fabricante.

Instalación

1. No bloquee los orificios de ventilación. Si se bloquean durante el funcionamiento, el horno puede calentarse excesivamente. Si el horno se calienta excesivamente, el dispositivo térmico de seguridad lo apagará. El horno no funcionará hasta que se haya enfriado.
2. Si el horno se instala en un gabinete de pared, use el conjunto de moldura correspondiente, que puede adquirir en su distribuidor local (consulte la página 132). Siga todas las instrucciones que vienen con el conjunto.



AVISO: El uso inadecuado del enchufe de conexión a tierra puede tener como consecuencia una descarga eléctrica.

Consulte a un electricista o a un técnico de servicio calificado si no comprende la totalidad de las instrucciones de conexión a tierra o si tiene alguna duda respecto de si el electrodoméstico está correctamente conectado a tierra. Si es necesario usar un cable de extensión, use únicamente un cable de extensión de tres hilos que tenga un enchufe con conexión a tierra polarizado de tres espigas y un receptáculo de tres ranuras que acepte el enchufe del electrodoméstico. La capacidad nominal indicada del cable de extensión debe ser igual o mayor que la capacidad eléctrica nominal del electrodoméstico.

Instrucciones para la conexión a tierra Este electrodoméstico debe estar conectado a tierra. En caso de un cortocircuito eléctrico, la conexión a tierra reduce el riesgo de descarga eléctrica y proporciona un cable de escape para la corriente eléctrica. Este electrodoméstico viene equipado con un cable con un hilo de conexión a tierra y un enchufe para conexión a tierra. El enchufe debe colocarse en una toma de corriente que esté correctamente instalada y conectada a tierra.

- Enchúfelo en una toma de corriente para tres espigas correctamente instalada y conectada a tierra.
- No retire la espiga de conexión a tierra.
- No use un adaptador.

Alimentación eléctrica

1. Se proporciona un cable de alimentación eléctrica corto para reducir los riesgos de enredos o tropezones que podría causar un cable más largo.
2. Existen conjuntos de cables más largos o cables de extensión que se pueden emplear si se usan con cuidado. No permita que el cable cuelgue del borde de la mesa ni de la superficie de trabajo.
3. Si usa un cable largo o un cable de extensión,
la capacidad eléctrica nominal indicada del conjunto de cables o del cable de extensión debe ser, como mínimo, igual que la capacidad eléctrica nominal del electrodoméstico,
el cable de extensión debe ser un cable de tres hilos con conexión a tierra, y
el cable más largo debe disponerse de modo tal que no cuelgue de la superficie de trabajo y de la mesa para que no pueda ser jalado por niños ni causar tropezones accidentales.

Requisitos de cableado

1. El horno debe estar en un CIRCUITO SEPARADO. Ningún otro electrodoméstico debe compartir el circuito con el horno de microondas. Si así sucede, es posible que se funda el fusible del circuito derivado o se active el disyuntor, o bien que los alimentos se cocinen más lentamente de lo recomendado en este manual.
2. El horno debe estar enchufado a una TOMA DE CORRIENTE CON CONEXIÓN A TIERRA DE 20 AMP, 120 VOLTIOS, 60 Hz, COMO MÍNIMO.
En el caso de una toma de corriente estándar de dos espigas, es responsabilidad personal y obligación del consumidor hacerla cambiar por una toma de corriente de tres espigas, correctamente conectada a tierra.
3. El VOLTAJE utilizado debe ser el mismo que el especificado en este horno de microondas (120 V, 60 Hz). Usar un voltaje mayor es peligroso y puede provocar un incendio o daños al horno. Usar un voltaje menor hará que los alimentos se cocinen lentamente. El distribuidor no es responsable de ningún daño que se produzca por el uso del horno con un voltaje que no sea el especificado.

Interferencia con la TV/radio

El funcionamiento del horno de microondas puede causar interferencia con su radio, TV u otros equipos similares.

Este electrodoméstico genera y usa energía con frecuencia ISM. Si no se lo instala y utiliza correctamente, en estricto cumplimiento con las instrucciones del fabricante, puede causar interferencia con la recepción de radio y televisión. Su tipo ha sido probado y se ha determinado que cumple con los límites para los equipos ISM, en virtud de la parte 18 de las normas de la Comisión Federal de Comunicaciones (Federal Communications Commission, FCC), destinadas a proporcionar una protección razonable contra dicha interferencia en una instalación residencial. Sin embargo, no se garantiza que no se producirán interferencias en una instalación en particular. Encienda el electrodoméstico y vuelva a apagarlo para determinar si causa interferencia. Intente alguna de las siguientes soluciones para corregir la interferencia:

- Limpie la puerta y la superficie sellante del horno.
- Cambie la orientación de la antena de recepción de radio o televisión.
- Cambie la ubicación del horno de microondas con respecto al receptor.
- Aleje el horno de microondas del receptor.
- Enchufe el horno de microondas en una toma de corriente diferente para que el horno y el receptor estén enchufados a circuitos derivados diferentes.

El fabricante no es responsable de ninguna interferencia de radio o TV causada por modificaciones no autorizadas a este horno de microondas. Es responsabilidad del usuario corregir dicha interferencia.

PRECAUCIONES DE SEGURIDAD

Enlatado casero / esterilización / deshidratación de alimentos / pequeñas cantidades de alimentos

Siga estas precauciones de seguridad al cocinar en su horno

- No use su horno combinado para enlatados caseros ni para calentar tarros cerrados. Esto hace que la presión se acumule y que explote el tarro. Además, el horno combinado no puede mantener los alimentos a la temperatura adecuada del enlatado. Los alimentos mal enlatados se pueden echar a perder, y consumirlos puede ser peligroso.
- Las pequeñas cantidades de alimentos o los alimentos con bajo contenido de humedad pueden secarse, quemarse o incendiarse. Si se produce un incendio, apague el horno y deje la puerta del horno cerrada. Desconecte el cable de alimentación o corte la alimentación desde el panel de fusibles o disyuntor.
- No deshidrate carnes, hierbas, frutas ni verduras en su horno.

IMPORTANTE

Una cocción correcta depende de la programación del tiempo y del peso de los alimentos. Se puede producir un incendio si usa una porción más pequeña que la recomendada y la cocina durante el tiempo de la porción recomendada. Si se produce un incendio, apague el horno y deje la puerta del horno cerrada. Desconecte el cable de alimentación o corte la alimentación desde el panel de fusibles o disyuntor.

Palomitas de maíz

- Las palomitas de maíz deben prepararse en un recipiente para palomitas de maíz apto para horno de microondas. También puede utilizar palomitas de maíz para microondas que revientan dentro de su envase. Siga las indicaciones de los fabricantes de palomitas de maíz y use una marca apta para el vataje de su horno combinado. Nunca deje el horno sin supervisión al preparar palomitas de maíz.

ATTENCION: Al usar palomitas de maíz preenvasadas para microondas, siga las instrucciones del envase recomendadas.

Verifique el peso del envase antes de usar el botón para palomitas de maíz.

Programa el horno para el peso indicado en el envase de palomitas de maíz.

Si no sigue estas instrucciones, es probable que las palomitas de maíz no revienten correctamente, o pueden prenderse fuego y provocar un incendio.

Freír en aceite abundante

- No intente freír en aceite abundante en su horno de microondas. En un horno de microondas, el aceite puede calentarse muy rápidamente y superar las temperaturas ideales. Las temperaturas pueden aumentar lo suficiente como para que los aceites para cocinar alcancen sus puntos de inflamación respectivos y se prendan fuego. El aceite caliente puede producir burbujas y salpicar, lo que puede causar posibles daños al horno, y quizás, quemaduras. Además, es probable que los utensilios aptos para microondas no soporten la temperatura del aceite caliente, ya que se pueden romper, si tienen una mínima imperfección, rayón o están despostillados.

Huevos

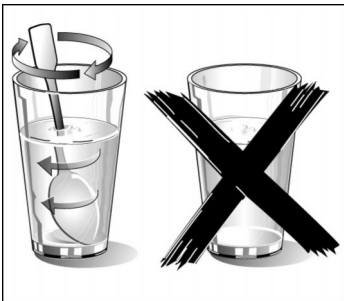
- No cocine/recaliente huevos enteros, con o sin cáscara. La acumulación de vapor en los huevos enteros puede hacer que exploten y, posiblemente, dañen el horno o provoquen una lesión. Puede recalentar huevos duros REBANADOS y cocinar huevos REVUELTOS.

Alimentos con piel no porosa

- Algunos ejemplos de alimentos con piel no porosa son: papas, manzanas, calabacitas y salchichas. Debe pinchar estos tipos de alimentos antes de cocinarlos en el horno de microondas para evitar que exploten.

ATTENCION: Cocinar papas secas o viejas puede producir un incendio.

Líquidos



- Los líquidos calentados pueden hacer erupción si no se mezclan con aire. No caliente líquidos en su horno de microondas sin antes revolverlos.

Charola de cerámica / utensilios para cocinar / papel de aluminio

- Los utensilios para cocinar se calientan en el horno de microondas. Para evitar quemaduras, use agarradores al retirar los utensilios y la charola de cerámica del horno o al quitar las tapas o las cubiertas de envoltura de plástico de los utensilios para cocinar.
- Al cocinar los alimentos, la charola de cerámica se calienta. Debe dejar que se enfríe antes de manipularla o antes de colocar productos de papel, como platos de papel, servilletas o bolsas de palomitas de maíz para microondas, para cocinar alimentos.
- Durante la cocción, el calor se transfiere del alimento caliente al utensilio para cocinar y del utensilio a la charola de cerámica. La charola de cerámica puede estar muy caliente después de retirar los utensilios para cocinar del horno.
- Al usar papel de aluminio, racks de calentamiento o utensilios de metal en el horno, deje 1 pulgada (2.5 cm) de espacio, como mínimo, entre el papel de aluminio, el material de metal y las paredes internas o la puerta del horno. Si se producen arcos eléctricos (chispas), retire el material de metal (brochetas, etc.) y/o pase los alimentos a un recipiente no metálico.

Toallas de papel/paños

- No se deben usar recipientes con bordes de metal al cocinar en horno de microondas o en horno combinado, ya que se pueden producir arcos eléctricos.
- No use toallas de papel ni paños con fibras sintéticas entretejidas. Las fibras sintéticas pueden hacer que la toalla se prenda fuego. Use toallas de papel bajo supervisión.
- No use bolsas de papel ni productos de papel reciclado en el horno de microondas.

Recipientes para dorar/bolsas para cocinar en horno

- Los recipientes o parrillas para dorar en microondas están diseñados para cocinar únicamente en horno de microondas. Los tiempos de precalentamiento varían según el tamaño del recipiente para dorar y los alimentos que se van a cocinar. Siempre siga las instrucciones proporcionadas por el fabricante del recipiente o parrilla para dorar. No precaliente los recipientes para dorar más de 6 minutos.
- Si se usa una bolsa para cocinar en microondas, prepárela según las indicaciones del envase. No use cierres de alambres para cerrar la bolsa; en su lugar, use cierres de nylon, cordones de algodón o una tira cortada del extremo abierto de la bolsa. Haga seis cortes de ½ pulgada cerca del cierre. Coloque la bolsa para cocinar en horno en un recipiente un poco más grande que los alimentos que se van a cocinar.

Termómetros

- No use termómetros para carne convencionales para cocinar en horno de microondas. Se pueden producir arcos eléctricos. No use termómetros para carne aptos para microondas para hornear. Se pueden derretir.

Fórmula para bebés/Alimento para bebés

- No caliente fórmulas o alimentos para bebés en el horno de microondas. El tarro de vidrio o la superficie de los alimentos pueden parecer tibios, mientras que el interior puede quemar la boca y el esófago del niño.

Recalentar productos de pastelería

- Al recalentar productos de pastelería, verifique las temperaturas de los rellenos antes de comerlos. Algunos alimentos tienen rellenos que se calientan más rápido y pueden estar sumamente calientes, mientras que la superficie permanece tibia al tacto (p. ej., donas rellenas de mermelada).

Pautas generales de uso del horno/puerta del horno

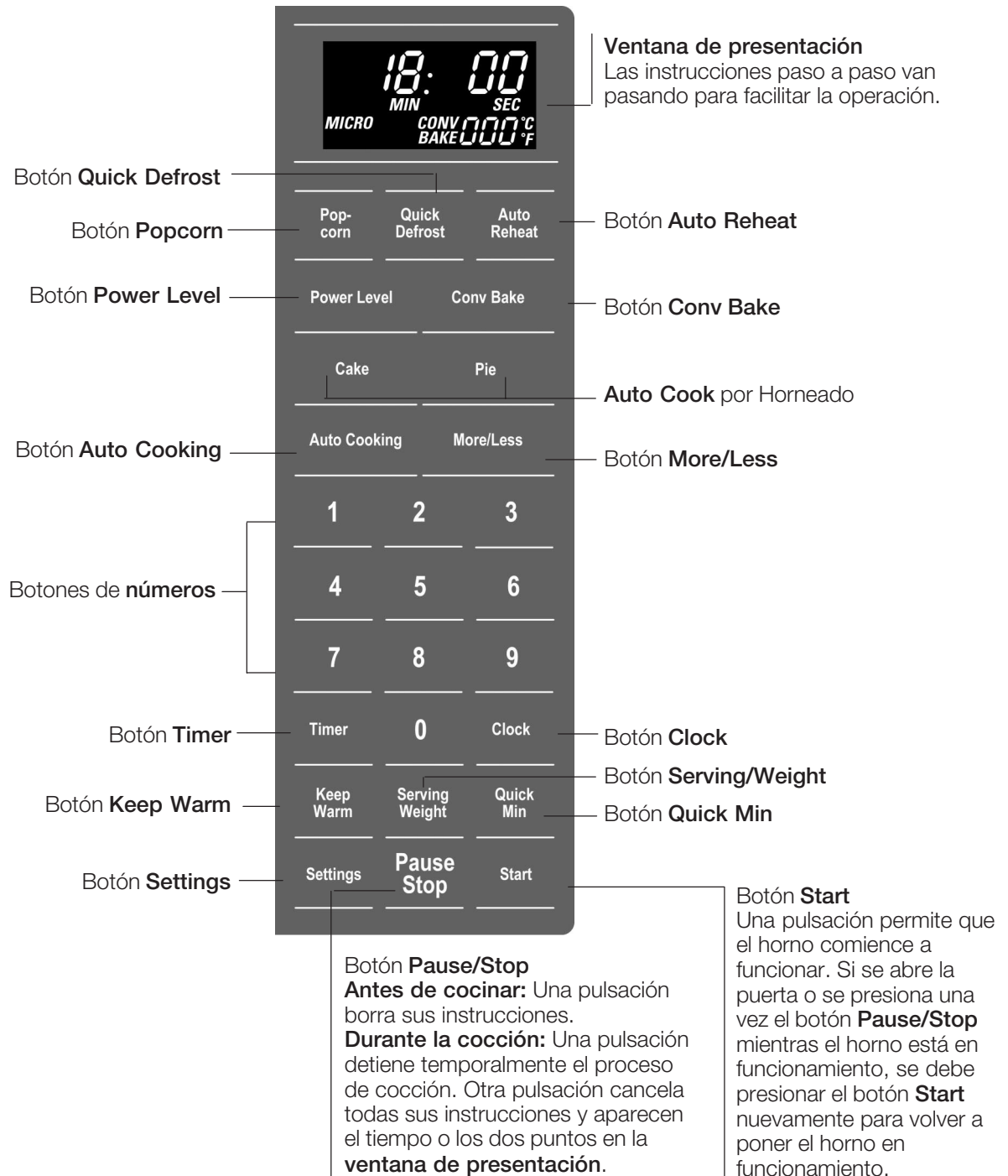
- No use el horno para ningún otro fin que el de la preparación de alimentos.
- No deje el horno sin supervisión mientras esté en uso.
- La puerta y el interior del horno se calientan durante el horneado.

Preparación de alimentos

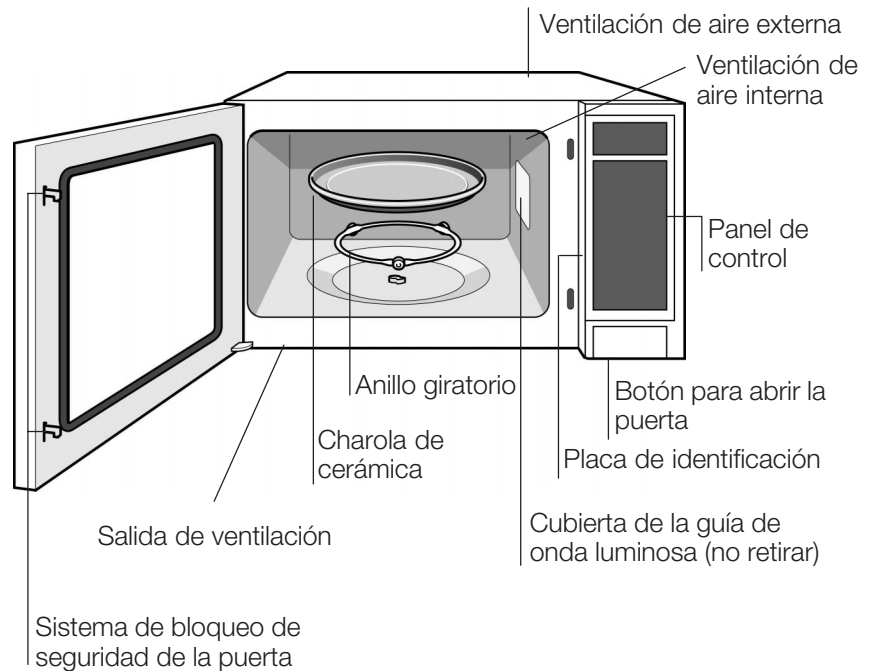
- El horno de microondas ha sido diseñado para la preparación de alimentos únicamente. Otros usos pueden resultar peligrosos y causar daños. Por ejemplo, los granos y los dientes de granos calientes pueden prenderse fuego al cabo de algunas horas. ¡Peligro de incendio!

Cómo comenzar

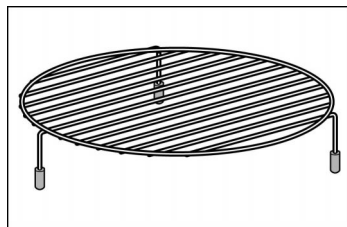
Panel de control



Piezas y accesorios incluidos



Rack

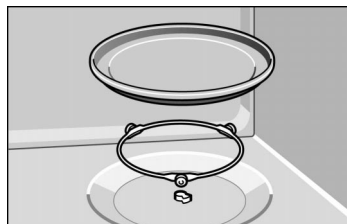


Anillo giratorio/Charola de cerámica

Coloque el anillo giratorio correctamente sobre el piso del horno.

Coloque la charola de cerámica exactamente sobre el anillo giratorio.

Siempre use el anillo giratorio y la charola de cerámica en la posición adecuada.



Advertencia: Sonido del bip:

Cuando se presiona un botón correctamente, se escucha un bip.

Si se presiona un botón y no se escucha un bip, la unidad no ha aceptado la instrucción o no puede hacerlo. El horno emitirá un bip dos veces entre las etapas programadas. Al final de cualquier programa completo, el horno emitirá un bip 5 veces. Al terminar el ciclo de precalentamiento, el horno emitirá un bip 3 veces.

Operación

Comenzar a usar el horno

Enchufarlo

Enchúfelo en una toma de corriente eléctrica correctamente conectada a tierra.

Programación del reloj

Ejemplo:
Para programar las 11:25 a.m.
o p.m.

1. Presione el botón **Clock** una vez.
Los dos puntos titilan.
2. Ingrese la hora del día (p. ej., 11:25) con los botones de números.
Aparece la hora en la ventana de presentación; los dos puntos siguen titilando.
3. Presione el botón **Clock**.
Los dos puntos dejan de titilar, y ya ingresó la hora del día.

Notas

- Para reprogramar el reloj, repita los pasos 1 a 3.
- El reloj mantendrá la hora del día mientras el horno esté enchufado y haya alimentación eléctrica.
- El reloj es un reloj de 12 horas.
- El horno no funciona mientras titilan los dos puntos.

Valores

Esta función exclusiva de su horno de microondas le permite establecer las funciones iniciales de su horno antes de cocinar, como, por ejemplo, CHILD LOCK, WORD SPEED, LANGUAGE CHOICE (inglés, francés o español) y muchas más.

1. Presione la función **Settings**.
2. Presione la selección con el botón de número. **0 a 9**.
3. Presione la selección con el botón de número. **1 a 3**.

Si desea otras opciones, repita los pasos 1 a 3 para obtener selecciones adicionales.

Valores

- 1 **Selección de idioma**
El horno cuenta con pantallas en inglés, francés y español. Cuando conecte el horno, la pantalla aparecerá en inglés.
1. ENGLISH* La pantalla aparece en inglés.
2. FRANCAIS La pantalla aparece en francés.
3. ESPAÑOL La pantalla aparece en español.
-
- 2 **Selección de lb/kg**
El horno cuenta con ambos sistemas de medida de peso: imperial y métrico. Cuando conecte el horno, el peso aparecerá en medida imperial.
1. LB* El peso puede programarse en oz/lb (imperial).
2. KG El peso puede programarse en g/kg (métrico).
-
- 3 **Velocidad de palabras**
Puede acelerar o desacelerar la velocidad de las palabras que aparecen en la ventana de presentación.
1. QUICK Las palabras aparecen rápidamente.
2. MEDIUM* La velocidad en la que aparecen las palabras vuelve al valor inicial.
3. SLOW Las palabras aparecen lentamente.
-
- 4 **Encendido/Apagado del Menú Acción**
La pantalla MENÚ ACCIÓN le ayuda a programar su horno indicándole el siguiente paso que debe tomar. Cuando se familiarice con su horno, puede apagar la ventana de instrucciones.
1. ON* Aparece la guía de instrucciones.
2. OFF No aparece la guía de instrucciones.
-
- 5 **Encendido/Apagado del bloqueo para niños**
El horno tiene una función de Bloqueo de seguridad para niños que evita que los niños lo usen. No bloquea la puerta.
1. ON Se programó el bloqueo para niños y los modos de operación no serán aceptados.
2. OFF* Se canceló el bloqueo para niños.
-
- 6 **Encendido/Apagado del bip**
Si desea operar el horno sin bips, la función se puede eliminar.
1. ON* Se reactiva el sonido del bip.
2. OFF No se escuchará el sonido del bip.
-
- 7 **Encendido/Apagado del bip recordatorio**
Se activa un bip recordatorio para recordarle que debe retirar los alimentos del horno una vez terminada la cocción. Este bip sonará cada 15 segundos.
1. ON Se activa el bip recordatorio.
2. OFF* Se desactiva el bip recordatorio.
-
- 8 **Encendido/Apagado de la función ahorro de luz**
1. ON La hora del día avanza una hora.
2. OFF* La hora del día vuelve a su programación original.
-
- 9 **Encendido/Apagado del reloj**
La pantalla del reloj se puede apagar.
1. ON* Aparece la pantalla del reloj en la ventana de presentación.
2. OFF No aparece la pantalla del reloj en la ventana de presentación.
La hora del día quedará almacenada en la memoria, incluso cuando la pantalla esté apagada.
-
- 0 **Encendido/Apagado del modo Demo**
El modo Demo está diseñado para la exhibición del horno en tiendas minoristas. En este modo, se puede demostrar el funcionamiento del horno sin encenderlo.
1. ON El horno está en modo Demo.
2. OFF* El horno no está en modo Demo.
-

* MODO PREDETERMINADO

Cómo aprovechar al máximo su electrodoméstico

Selección de potencia y tiempo de cocción

Seleccione el nivel de potencia

Presione	Nivel de potencia
1 vez	P10 (ALTA)
2 veces	P9
3 veces	P8
4 veces	P7 (MEDIA-ALTA)
5 veces	P6 (MEDIA)
6 veces	P5
7 veces	P4
8 veces	P3 (MEDIA-BAJA)
9 veces	P2 Descongelar
10 veces	P1 (BAJA) Descongelar

Ejemplo:
Para cocinar en potencia P6 (MEDIA) durante 1 minuto y 30 segundos

1. Presione **Power Level** (5 veces) hasta que aparezca el nivel de potencia deseado en la ventana de presentación.
2. Programe el tiempo de cocción con los botones de números.
3. Presione **Start**.
El horno comienza a cocinar. Comienza la cuenta regresiva del tiempo que aparece en la ventana de presentación.

Notas

- Para cocinar en más de una etapa, repita los pasos 1 y 2 para cada etapa de cocción antes de presionar el botón **Start**. La cantidad máxima de etapas de cocción es 3. Mientras el horno está en funcionamiento, sonarán dos bips entre cada etapa. Al finalizar la secuencia completa sonarán cinco bips.
- Al seleccionar la potencia P10 (ALTA) para la primera etapa, puede comenzar en el paso 2.
- Al seleccionar la potencia P10 (ALTA), el tiempo máximo programable es de 30 minutos. Para los demás niveles de potencia, el tiempo máximo es de 99 minutos y 99 segundos.
- Para recalentar, use la potencia P10 (ALTA) para los líquidos, P7 (MEDIA-ALTA) para la mayoría de los alimentos y P6 (MEDIA) para los alimentos densos.
- Para descongelar, use P2 (MEDIA-BAJA) o P1 (BAJA).

No cocine excesivamente

Este horno requiere menos tiempo para cocinar que una unidad más antigua. La cocción excesiva hará que los alimentos se sequen y puede provocar un incendio. La potencia de cocción de un horno de microondas le indica la cantidad de potencia de microondas disponible para cocinar.

Las funciones automáticas se incorporan para su comodidad. Si los resultados no son adecuados a su preferencia individual o si el tamaño de la porción es distinto del enumerado, realice la cocción en forma manual (ver más arriba).

Para programar el Temporizador

Esta función le permite programar el horno como un temporizador de cocina. También puede usarse para programar un tiempo de reposo después de terminada la cocción y/o programar un inicio con retraso.

ATTENCION: Si la luz del horno se enciende cuando usa la función de temporizador, el horno no está programado correctamente. Detenga el horno de inmediato y lea las instrucciones nuevamente.

Para usar como temporizador de cocina

Ejemplo:
Para una cuenta regresiva de 5 minutos

1. Presione el botón **Timer**.
2. Ingrese la duración de la cuenta regresiva. (hasta 99 minutos y 99 segundos).
3. Presione el botón **Start**.
El temporizador comenzará la cuenta regresiva sin que el horno esté en funcionamiento.

Para programar la función Inicio con retraso (2 ó 3 programas)
Ejemplo:

1. Presione el botón **Timer**.
2. Ingrese 80 minutos (con los botones de números).
3. Presione **P10**.
4. Ingrese 5 minutos (con los botones de números).
5. Presione **P6**.
6. Ingrese 20 minutos (con los botones de números).
7. Presione el botón **Start**.

Para programar la función Tiempo de reposo (2 ó 3 programas)
Ejemplo:

1. Presione **P3**.
2. Ingrese 25 minutos (con los botones de números).
3. Presione **Timer**.
4. Ingrese 7 minutos (con los botones de números).
5. Presione **Start**.
El horno comienza a cocinar. Después de la cocción, comenzará la cuenta regresiva del tiempo de reposo sin que el horno esté en funcionamiento.

Función Quick Min

Esta función le permite programar o agregar tiempo de cocción en incrementos de 1 minuto, hasta 10 minutos.

Para programar el Tiempo de cocción 1. Presione **Quick Min** hasta que el tiempo de cocción deseado (hasta 10 minutos) aparezca en la ventana de presentación. El nivel de potencia está preestablecido en P10.

2. Presione **Start**.

Comienzan la cocción y la cuenta regresiva. Al término de la cocción, se emiten 5 bips.

Notas

- Si lo desea, puede usar otros niveles de potencia. Seleccione el nivel de potencia deseado antes de programar el tiempo de cocción.
- Después de programar el tiempo con el botón **Quick Min**, no puede usar los botones de números.
- El botón **Quick Min** puede usarse para agregar más tiempo durante la cocción manual.

Función Keep Warm

Esta función mantiene calientes los alimentos durante 30 minutos después de la cocción.

Ejemplo:
Para mantener calientes 2 tazas de gravy

1. Presione el botón **Keep Warm**.

2. Programe el tiempo de calentamiento en hasta 30 minutos.

3. Presione **Start**.

Comienza la función Mantener caliente. Comienza la cuenta regresiva del tiempo que aparece en la ventana de presentación.

Nota

- La función **Keep Warm** se puede programar como la etapa final después de haber ingresado manualmente los tiempos de cocción. No se puede usar en combinación con las funciones automáticas.

Función Popcorn

Presione	Peso
1 vez	3.5 oz (99 g)
2 veces	3.0 oz (85 g)
3 veces	1.75 oz (50 g)

Ejemplo:
Para preparar 3.5 oz de palomitas de maíz

1. Presione el botón **Popcorn** hasta que el tamaño deseado aparezca en la ventana de presentación.

(De forma opcional, puede usar el botón **More/Less**; consulte la función Más/Menos).

2. Presione **Start**.

Después de varios segundos, aparece el tiempo de cocción en la ventana de presentación y comienza la cuenta regresiva.

Notas acerca de la función Popcorn

- Prepare una bolsa por vez.
- Coloque la bolsa en el horno según las indicaciones del fabricante.
- Comience con las palomitas de maíz a temperatura ambiente.
- Deje reposar las palomitas de maíz reventadas sin abrir durante unos minutos.
- Abra la bolsa con cuidado para evitar quemaduras, debido al vapor que saldrá.
- No recaliente los dientes no reventados ni vuelva a usar la bolsa.

Nota

Si las palomitas de maíz tienen un peso distinto al de la lista, siga las instrucciones del envase de palomitas de maíz. **Nunca deje el horno sin supervisión.** Si el tiempo que tardan las palomitas de maíz en reventar disminuye a entre 2 y 3 segundos, detenga el horno. **La sobrecocción puede producir un incendio.**

Comentarios

Al preparar varias bolsas, una después de la otra, los tiempos de cocción pueden variar ligeramente. Esto no afecta los resultados de las palomitas de maíz.

Función More/Less

Para palomitas de maíz

Con el botón **More/Less**, puede ajustar los programas para cocinar las palomitas de maíz durante más o menos tiempo, si lo desea.

1 pulsación	se agregan aprox. 10 s
2 pulsaciones	se agregan aprox. 20 s
3 pulsaciones	se restan aprox. 10 s
4 pulsaciones	se restan aprox. 20 s
5 pulsaciones	programación original

Presione el botón **More/Less** antes de presionar **Start**.

Autorrecalear

Las preferencias con respecto al grado de cocción de los alimentos varían según cada persona. Después de usar la función **Auto Reheat** varias veces, es posible que decida que prefiere sus alimentos con un grado de cocción diferente.

1 pulsación	Más (se agrega aprox. el 10% del tiempo)
2 pulsaciones	Menos (se resta aprox. el 10% del tiempo)
3 pulsaciones	programación original

Presione el botón **More/Less** antes de presionar **Start**.

Función Quick Defrost

Esta función le permite descongelar alimentos como: carne, aves y mariscos con solo ingresar el peso.

Siga el cuadro para convertir onzas o cientos de libra en décimos de libra. Para usar la función Descongelar rápido, ingrese el peso de los alimentos en lb (1.0) y en décimos de lb (0.1). Si un trozo de carne pesa 1.95 lb o 1 lb 14 oz, ingrese 1.9 lb.

Cuadro de conversión

Onzas	Cientos de libra	Décimos de libra
0	0.01 - 0.05	0.0
1 - 2	0.06 - 0.15	0.1
3 - 4	0.16 - 0.25	0.2
5	0.26 - 0.35	0.3
6 - 7	0.36 - 0.45	0.4
8	0.46 - 0.55	0.5
9 - 10	0.56 - 0.65	0.6
11 - 12	0.66 - 0.75	0.7
13	0.76 - 0.85	0.8
14 - 15	0.86 - 0.95	0.9

Ejemplo: Para descongelar 1.5 libras de carne

Coloque el alimento en el recipiente apto para horno de microondas.

1. Presione el botón **Quick Defrost**.
2. Ingrese el peso del alimento con los botones de número.
3. Presione **Start**.

El horno comienza a descongelar. El temporizador comienza la cuenta regresiva. Con los alimentos de mayor peso se emitirá una señal en la mitad del proceso de descongelación. Si se escuchan 2 bips, dé vuelta, vuelva a ordenar o cubra con papel de aluminio los alimentos.

Notas

- El peso máximo recomendado para la carne es de 4 lb (1.8 kg); aves 6 lb (2.7 kg) y mariscos 3 lb (1.4 kg).
- El peso para la función Descongelar rápido se puede programar en hasta 6 lb (3.0 kg).
- Puede programar la potencia y el tiempo después de seleccionar la función Descongelar rápido.

Consejos y técnicas para descongelar

Preparación para congelar

- Congele carnes, aves y pescado en paquetes con 1 ó 2 capas de alimento únicamente. Coloque papel encerado entre cada capa.
- Guarde los alimentos con envolturas de plástico de alto rendimiento, bolsas (etiquetadas “para el congelador”) o papel para congelar.
- Libere la mayor cantidad de aire posible.
- Selle fijamente, feche y etiquete.

Para descongelar

- Retire la envoltura. Esto ayuda a que la humedad se evapore. Los jugos de los alimentos se pueden calentar y hacer que estos se cocinen.
- Coloque los alimentos en un recipiente apto para horno de microondas.
- Coloque los asados con el lado graso hacia abajo. Coloque las aves enteras con la pechuga hacia abajo.
- Seleccione la potencia y el tiempo mínimo para que los alimentos no se descongelen por completo.
- Drene los líquidos durante la descongelación.
- Dé vuelta (invierta) los alimentos durante la descongelación.
- Cubra los bordes y los extremos, si es necesario.

Después de descongelar

- Es probable que los alimentos grandes estén cubiertos de hielo en el centro. La descongelación se completará durante el tiempo de reposo.
- Deje reposar los alimentos y déjelos cubiertos.
- Enjuague los alimentos indicados en el cuadro.
- Debe enjuagar por separado los alimentos que ha separado por capas o dejarlos reposar durante más tiempo.

Hornear con la función Selección de tiempo

Esta función ofrece una selección de temperaturas para hornear de 100 °C a 230 °C en incrementos de 10 °C (o de 200 °F a 450 °F en incrementos de 25 °F). La mayoría de los alimentos horneados requieren el precalentamiento del horno. Coloque el rack del horno en la charola de cerámica. Siga los pasos que aparecen a continuación.

Nota

Antes de usar la función Hornear por primera vez, lave el interior con un paño con jabón, luego haga funcionar el horno sin alimentos en la función Hornear durante 20 minutos a 230 °C (450 °F). De esta forma, el aceite que se usa para protección de la oxidación se quemará.

La puerta del horno y el exterior se calientan durante la función Hornear. Manipule la puerta con cuidado.

Ejemplo: Hornear

1. Presione el botón **Bake** para seleccionar la temperatura del horno deseada.

2. Presione el botón **Start**.

El horno comienza a precalentarse.

- Durante el precalentamiento, aparece la letra "P" en la pantalla. No abra la puerta.
- Una vez terminado el precalentamiento, el horno emitirá un bip tres veces y la leyenda "P FIN" aparecerá en la pantalla.
- Si no se abre la puerta del horno después del precalentamiento, la temperatura seleccionada se mantendrá durante 30 minutos. Después de 30 minutos, el horno se apagará automáticamente y emitirá un bip cinco veces.

Ejemplo: 30 minutos

3. Después de precalentar el horno, coloque los alimentos en el interior.

4. Programe el tiempo de horneado en 30 minutos (hasta 5 horas).

5. Presione el botón **Start**.

El horno comienza a hornear.

Notas:

- Elimine el paso 2 para las recetas que no requieren precalentar el horno.
- Cuando el tiempo de cocción seleccionado es inferior a una hora, la cuenta regresiva corre segundo por segundo.
- Cuando el tiempo de cocción seleccionado es superior a una hora, la cuenta regresiva corre minuto por minuto hasta que quede 1 hora. El temporizador comenzará la cuenta regresiva segundo por segundo.
- Presione el botón **Bake** durante el precalentamiento o el horneado para que aparezca la temperatura que programó.

Para usar la función Auto Reheat (en horno de microondas)

Ejemplo:
Para recalentar 2 porciones de guisado

Esta función le permite recalentar de 1 a 4 porciones de alimentos precocidos a temperatura ambiente y a temperatura del refrigerador sin tener que programar la potencia y el tiempo.

1. Presione dos veces el botón Autorrecalentar.
Espere a que la cantidad de porciones deseada aparezca en la ventana de presentación.
(De forma opcional, puede usar el botón **More/Less**; consulte la función More/Less).
2. Presione el botón **Start**.
Comienzan la cocción y la cuenta regresiva.

Presione el botón Auto Reheat para indicar la cantidad de porciones.	Tamaño promedio de la porción	Tiempo
1 vez	4-6 oz	varía en función del tamaño y del vataje del horno
2 veces	8 oz	
3 veces	12 oz	
4 veces	16 oz	

Advertencia: Para obtener mejores resultados, siga las recomendaciones que se detallan a continuación:

1. Todos los alimentos deben ser cocinados previamente.
2. Siempre debe cubrir los alimentos de manera suelta, con envoltura de plástico, papel encerado o tapas de cacerolas.
3. Todos los alimentos deben conservarse cubiertos durante un tiempo de reposo de 3 a 5 minutos.
4. No recaliente pan ni productos de pastelería con la función Autorrecalentar. En su lugar, use la función manual de potencia y tiempo.
5. No recaliente las bebidas.
6. Los tiempos se basan en un tamaño de porción aproximado de 4 oz.
7. Un plato de alimentos equivale, generalmente, a 3-4 porciones.

Para usar la función Auto Cooking (en horno de microondas)

1. Presione el botón **Auto Cooking**.
2. Seleccione el menú que desea con los botones de números (1~9)
3. Seleccione el botón **Serving/Weight**.
(De forma opcional, puede usar el botón **More/Less**; consulte la función More/Less).
4. Presione el botón **Start**.

Botón Auto Cooking	Receta	Porción/Peso	Utensilios para horno	Consejos
1	Harina de avena	½ taza, 1 taza	recipiente alto para servir apto para horno de microondas	La harina de avena hace mucha espuma durante la cocción. Por lo tanto, use un recipiente alto sin tapa. Seleccione el peso de la harina de avena no cocida (sin líquido). Colóquela dentro de un recipiente para servir apto para horno de microondas, sin tapa. Siga las indicaciones del fabricante para la preparación.
2	Bebidas	1 taza, 2 tazas	taza apta para horno de microondas	No la cubra. Revuelva después de la cocción.
3	Sopa	1 taza, 2 tazas	bol para servir apto para horno de microondas	Vierta la sopa en un bol para servir apto para horno de microondas. No lo cubra. Revuelva después de la cocción.
4	Platillo congelado	8 oz, 10 oz, 20 oz, 32 oz	bol para servir apto para horno de microondas con tapa o envoltura de plástico ventilada	Siga las indicaciones del fabricante para la preparación. Después de 2 bips, revuelva o reacomode los alimentos. Tenga cuidado al retirar la película de plástico después de la cocción. Retírela alejada de usted para evitar quemaduras por el vapor. Si requiere más tiempo, siga cocinando de forma manual.
5	Papas	1-4 unidades (6-8 oz cada una)	recipiente plano apto para horno de microondas, sin tapa	Use papas de igual tamaño. Pinche cada papa con un tenedor con una separación uniforme por toda la superficie. Coloque la papa o las papas alrededor del borde de la charola de vidrio (bandeja giratoria), dejando, como mínimo, una distancia de 1 pulgada. No la cubra. Deje reposar durante 5 minutos para completar la cocción.
6	Verduras frescas	4 oz, 8 oz, 12 oz, 16 oz	recipiente alto apto para horno de microondas con tapa o envoltura de plástico ventilada	Todas las piezas deben ser del mismo tamaño. Lávelas con abundante agua, agregue 1 cda. de agua por cada ½ taza de verduras y cubra con una tapa o con una envoltura de plástico ventilada. No agregue sal ni mantequilla hasta después de la cocción.

Botón Auto Cooking	Receta	Porción/Peso	Utensilios para horno	Consejos
7	Verduras congeladas	6 oz, 10 oz, 16 oz	recipiente alto apto para horno de microondas con tapa o envoltura de plástico ventilada	Este programa solo es apto para verduras escaldadas y no precocidas. Lávelas con abundante agua, agregue 1 cda. de agua por cada ½ taza de verduras y cubra con una tapa o con una envoltura de plástico ventilada. No agregue sal ni mantequilla hasta después de la cocción. No apto para verduras en mantequilla o en salsa. Después de 2 bips, revuelva o reacomode los alimentos.
8	Arroz	½ taza, 1 taza, 1½ tazas	recipiente alto para servir apto para horno de microondas con tapa o envoltura de plástico ventilada	El arroz hace mucha espuma durante la cocción. Por lo tanto, use un recipiente alto con tapa. No use arroz que se hierva dentro de una bolsa. Agregue líquido en una proporción de dos a dos veces y media con respecto a la cantidad de arroz. Coloque el arroz con agua caliente de la llave en un recipiente para guisado apto para horno de microondas. Cubra con una tapa o con una envoltura de plástico ventilada. Deje reposar durante 5 a 10 minutos antes de servir.
9	Filetes de pescado	4 oz, 8 oz, 12 oz, 16 oz	recipiente plano apto para horno de microondas con tapa o envoltura de plástico ventilada	Acomódelos en una única capa. Cubra con una tapa o con una envoltura de plástico ventilada.

Tiempo de reposo

Alimento	Tiempo de reposo
Verduras	aprox. 5 min
Papas	aprox. 5 min, escurra el agua sobrante
Arroz	5 - 10 min

Menú Auto Cooking

1	2	3	4
Función Auto Cooking	1. Harina de avena	½ taza 1 taza	Start
	2. Bebidas	1 taza 2 tazas	
	3. Sopa	1 taza 2 tazas	
	4. Platos congelados	8 oz/225 g 10 oz/300 g 20 oz/600 g 32 oz/900 g	
	5. Papas (6-8 oz)	1 2 3 4	
	6. Verduras frescas	4 oz/110 g 8 oz/225 g 12 oz/340 g 16 oz/450 g	
	7. Verduras congeladas	6 oz/170 g 10 oz/300 g 16 oz/450 g	
	8. Arroz (blanco)	½ taza 1 taza 1½ taza	
	9. Filetes de pescado	4 oz/110 g 8 oz/225 g 12 oz/340 g 16 oz/450 g	

Para usar la función Auto Cook por Bake

Esta función le permite hornear un pastel o un pie sin tener que seleccionar la temperatura del horno ni el tiempo de horneado.

Ejemplo:
Pastel

1. Seleccione la categoría deseada.
p. ej., Pastel.

2. Presione el botón **Start**.
El horno comienza a cocinar.

Nota

- Si desea ajustar el tiempo de horneado, presione el botón **More/Less** antes de presionar el botón **Start**.
- No es apto para hornear recetas con fudge de chocolate, brownies ni fruit cake.
- No use masa para pie congelada.
- Coloque los pies congelados en una placa pequeña para hornear galletas.
- Las categorías se subdividen de la siguiente forma:

Pastel	1a pulsación	Pastel 1 para recetas de pasteles que se hornean de forma convencional en menos de 28 minutos.
	2a pulsación	Pastel 2 para recetas de pasteles que se hornean de forma convencional entre 28 minutos y 49 minutos.
	3a pulsación	Pastel 3 para recetas de pasteles que se hornean de forma convencional en 50 minutos o más.

(A) Consulte la caja de mezcla para pastel para obtener el tiempo de horneado recomendado, o la receta personal para el pastel hecho con ingredientes básicos.

(B) La tecla **Auto Cook** por **Bake** no requiere que precaliente el horno con sistema de convección.

Pie	1a pulsación	Pie fresco para pies con doble masa y relleno fresco
	2a pulsación	Pie congelado para pies con doble masa congelados
	3a pulsación	Pie precocido para pies con doble masa con relleno precocido o de lata.

Para usar el botón More/Less

Después de usar varias veces la función Cocción con una sola pulsación, probablemente prefiera que sus alimentos se cocinen a un grado distinto. Con el botón **More/Less**, puede ajustar los programas para cocinar los alimentos durante más o menos tiempo. Si está conforme con el resultado de los programas, no es necesario usar el botón **More/Less**. Presione el botón **More/Less** antes de presionar el botón **Start**. Las palabras "**More**" o "**Less**" aparecen en la pantalla cuando presiona el botón **More/Less**.

Características de los alimentos

Huesos y grasa

Tanto los huesos como la grasa afectan la cocción. Los huesos producen una cocción irregular. La carne que se encuentra junto a los extremos de los huesos puede sobrecocinarse, mientras que la carne que se encuentra debajo de un hueso grande, como el hueso de una pierna de jamón, puede estar medio cruda. Grandes cantidades de grasa absorben la energía de microondas, y la carne que se encuentra cerca de estas áreas puede sobrecocinarse.

Densidad

Los alimentos aireados y porosos, como panes, pasteles y roles, requieren menos tiempo de cocción que los alimentos pesados y densos, como papas y carne para asado. Tenga mucho cuidado al recalentar donas u otros alimentos con distintos centros. Algunos alimentos tienen centros elaborados con azúcar, agua o grasa; estos centros atraen las ondas del horno (por ejemplo, donas rellenas de mermelada). Al calentar una dona rellena de mermelada, esta puede calentarse demasiado mientras que el exterior permanece tibio al tacto. Esto puede producir una quemadura si no espera a que el alimento se enfríe lo suficiente en el centro.

Cantidad

Dos papas tardan más en cocinarse que una sola. A medida que disminuye la cantidad de alimentos, disminuye el tiempo de cocción. El exceso de cocción hará que el contenido de humedad en los alimentos disminuya, y puede producirse un incendio. Nunca deje el horno de microondas sin supervisión durante su uso.

Forma

Los tamaños uniformes se calientan de forma más pareja. El extremo delgado de una pata se cocina más rápidamente que el extremo con carne. Para compensar las formas irregulares, coloque las partes más delgadas hacia el centro del recipiente y las partes gruesas hacia el borde.

Temperatura de inicio

Los alimentos que están a temperatura ambiente tardan menos tiempo para cocinarse que si estuvieran fríos, refrigerados o congelados.

Técnicas de cocción

Perforación

Es necesario perforar, retirar una tira de la piel de los alimentos que tengan piel o membrana, o realizar algunos cortes, a fin de permitir que salga el vapor. Perfore almejas, ostras, hígados de pollo, papas enteras y verduras enteras. Es necesario retirar una tira de una pulgada de piel de las manzanas o de las papas nuevas enteras antes de cocinarlas. Es necesario realizar algunos cortes en las salchichas y los chorizos. No cocine/recaliente huevos enteros, con o sin cáscara. La acumulación de vapor en los huevos enteros puede hacer que exploten y posiblemente dañen el horno o provoquen una lesión. Puede recalentar huevos duros REBANADOS y cocinar huevos REVUELTOS.

Separación

Los alimentos individuales, como papas horneadas, mantecadas y entradas, se cocinan de forma más pareja si los coloca dentro del horno con la misma separación entre ellos. Cuando sea posible, disponga los alimentos en forma circular.

Tapas

Como sucede con la cocina convencional, la humedad se evapora durante la cocción en horno de microondas. Se usan tapas de cacerolas o envolturas de plástico para lograr un sello más hermético. Al usar una envoltura de plástico, deje un espacio de ventilación doblando hacia atrás una parte de la envoltura de plástico de modo que quede separado del borde del recipiente, a fin de permitir que salga el vapor. Afloje o retire la envoltura de plástico según las indicaciones de la receta para el tiempo de reposo. Al retirar las cubiertas de envoltura de plástico y las tapas de vidrio, hágalo lejos de usted para evitar quemaduras por el vapor. También se obtienen diversos grados de retención de la humedad utilizando papel encerado o toallas de papel.

Protección

Las áreas más delgadas de la carne y las aves se cocinan más rápido que las más carnosas. Para evitar cocinar excesivamente estas áreas delgadas, se las puede proteger con tiras de papel de aluminio. Puede usar palillos de madera para sujetar el aluminio.

ATTENCION: Tenga cuidado al utilizar papel de aluminio. Se pueden producir arcos eléctricos si el papel de aluminio está demasiado cerca de la pared o la puerta del horno, y se producirán daños en el horno.

Tiempo de cocción

Con cada receta, se proporciona un rango de tiempos de cocción. El rango de tiempos compensa las diferencias en la forma de los alimentos, la temperatura inicial y las preferencias regionales, que son factores imposibles de controlar. Siempre cocine los alimentos durante el tiempo de cocción mínimo indicado en una receta y verifique el grado de cocción. Si el alimento aún está crudo, continúe cocinándolo. Es más fácil agregar tiempo a un producto que aún no está listo. Una vez que se ha cocinado excesivamente el alimento, no se puede hacer nada.

Revolver

Habitualmente es necesario revolver durante la cocción en horno de microondas. Siempre lleve los bordes externos cocidos hacia el centro y las partes centrales menos cocidas hacia el borde del recipiente.

Reacomodar

Reacomode las piezas pequeñas, como presas de pollo, camarones, medallones de hamburguesas o costillas de cerdo. Reacomode las piezas del borde en el centro y las del centro en el borde del recipiente.

Dar vuelta

No es posible revolver ciertos alimentos para distribuir el calor de forma pareja. A veces, la energía de microondas se concentra en una zona del alimento. Para asegurar la cocción pareja de estos alimentos, es necesario darles vuelta. Dé vuelta los alimentos grandes como asados o pavos, a mitad de la cocción.

Tiempo de reposo

La mayoría de los alimentos continúan cocinándose por conducción una vez que se apaga el horno de microondas. Al cocinar carnes, la temperatura interna aumenta entre 5 °F y 15 °F (3 °C y 8 °C), si se la deja en reposo, cubierta con papel de aluminio, durante 10 a 15 minutos. Los guisados y las verduras necesitan menos tiempo de reposo, pero el tiempo de reposo es necesario para permitir que se complete la cocción de los alimentos hasta el centro sin cocinar excesivamente los bordes.

Prueba de grado de cocción

Para la cocción en horno de microondas se pueden usar las mismas pruebas de grado de cocción que en la cocina convencional. La carne está lista cuando está tierna al pincharla con un tenedor o cuando se separa a lo largo de las fibras. El pollo está listo cuando los jugos son de un amarillo transparente y el hueso de la pata se mueve libremente. El pescado está listo cuando se descama y se ve opaco. Los pasteles están listos cuando se inserta un palillo o probador de pasteles y sale limpio.

Acerca de la seguridad y la temperatura de cocción de los alimentos

Verifique que los alimentos estén cocidos según las temperaturas recomendadas por el Departamento de Agricultura de los Estados Unidos.

TEMP. ALIMENTO

160 °F ... para cerdo fresco, carne molida, pescado, mariscos, platillos con huevo y alimentos preparados congelados.

165 °F ... para sobras, alimentos refrigerados listos para recalentar, fiambres y alimentos "frescos" para llevar.

180 °F ...aves

Para verificar el grado de cocción, inserte un termómetro para carne en una zona gruesa o densa, lejos de la grasa o el hueso. NUNCA deje el termómetro dentro del alimento durante la cocción, a menos que esté aprobado para uso en horno de microondas.

Guía de utensilios de cocina

Artículo	Horno de microondas	Comentarios
Papel de aluminio	sí para protección únicamente	Puede colocar pequeñas tiras de papel de aluminio alrededor de las partes delgadas de carne o aves para evitar que se sobrecocinen. Se pueden producir arcos eléctricos si el papel de aluminio está demasiado cerca de la pared o la puerta del horno, y se producirán daños en el horno.
Recipiente para dorar	sí	Los recipientes para dorar están diseñados para cocinar en horno de microondas únicamente. Consulte la información del recipiente para dorar para conocer las instrucciones y el cuadro de calentamiento. No precaliente los recipientes para dorar más de 6 minutos.
Bolsas de papel de estraza	no	Pueden producir un incendio en el horno.
Vajilla: Etiquetada "Apta para horno de microondas"	sí	Consulte las indicaciones de uso y cuidado de los fabricantes para calentar alimentos en horno de microondas. Algunas vajillas mencionan al reverso de cada plato: "Apto para horno de microondas".
Vajilla no etiquetada	no	Use la PRUEBA DE RECIPIENTE que se encuentra en la página 118.
Platos de cartón y poliéster desechables	sí	Algunos alimentos congelados están envasados en estos recipientes. Se pueden comprar en tiendas de abarrotes.

Artículo	Horno de microondas	Comentarios
Platos de cartón de comida rápida con asa de metal	no	El asa de metal puede producir arcos eléctricos.
Charolas de metal para alimentos congelados	no	El metal puede producir arcos eléctricos y dañar su horno.
Charola para alimentos congelados apta para microondas	sí	Caliente únicamente 1 charola en el horno por vez.
Tarros de vidrio	no	La mayoría de los tarros de vidrio no son resistentes al calor. No los use para cocinar ni para recalentar.
Utensilios de vidrio y de cerámica para horno, resistentes al calor	sí	Ideales para cocinar y dorar en horno de microondas. (Consulte la PRUEBA DE RECIPIENTE en la página 118).
Utensilios para hornear de metal	no	No recomendados para uso en hornos de microondas. El metal puede producir arcos eléctricos y dañar su horno.
Cierres de alambre	no	Pueden producir arcos eléctricos que podrían causar un incendio en el horno.
Bolsa para cocinar en horno	sí	Siga las indicaciones de los fabricantes. Cierre la bolsa con la cinta de nylon provista, una tira cortada del extremo de la bolsa o un cordón de algodón. No cierre con cierres de alambre. Haga seis cortes de ½ pulgada (1 cm) cerca del cierre.
Platos y tazas de papel	sí	Úselos para calentar alimentos cocinados y para cocinar alimentos que requieren tiempos de cocción breves, como hot dogs.
Toallas y servilletas de papel	sí	Úselas para calentar roles y sándwiches, únicamente si están etiquetadas para uso en horno de microondas.
Toallas y servilletas de papel reciclado	no	Los productos de papel reciclado pueden contener impurezas que pueden generar chispas.
Papel pergamino	sí	Úselo como cubierta para evitar las salpicaduras. Apto para uso en horno de microondas, horno de microondas/por convección y hornos convencionales.
Plástico: Utensilios de cocina aptos para horno de microondas	sí, proceda con cuidado	Deben llevar la etiqueta: "Aptos para calentamiento en horno de microondas". Verifique las indicaciones de los fabricantes para los usos recomendados. Algunos recipientes de plástico aptos para horno de microondas no son adecuados para cocinar alimentos con alto contenido de grasas o azúcares. El calor de los alimentos calientes puede hacer que el plástico se combe.
Plástico, melamina	no	Este material absorbe la energía de microondas. ¡Los recipientes se CALIENTAN!
Vasos de unicel	sí, proceda con cuidado	El unicel se derrite si los alimentos alcanzan altas temperaturas. Úselos para recalentar alimentos a una temperatura baja para servir únicamente.
Envoltura de plástico	sí	Úsela para cubrir alimentos durante la cocción, a fin de retener la humedad y evitar las salpicaduras. Debe llevar la etiqueta: "Apta para calentamiento en horno de microondas". Verifique las indicaciones del envase.

Artículo	Horno de microondas	Comentarios
Paja, mimbre, madera	sí, proceda con cuidado	Use estos utensilios únicamente para recalentar por períodos breves y para calentar los alimentos a una temperatura baja para servir. La madera puede secarse y quebrarse o agrietarse al usarla.
Termómetros: aptos para hornos de microondas	sí	Use únicamente termómetros para carne y dulces aptos para microondas.
Termómetros: aptos para hornos convencionales	no	No aptos para uso en horno de microondas, pueden producir chispas y calentarse.
Papel encerado	sí	Use una tapa para evitar salpicaduras y para retener la humedad.

Prueba de recipiente

Para probar un recipiente para usarlo de forma segura en un horno de microondas

Llene una taza apta para microondas con agua fría y colóquela en el horno de microondas junto con el recipiente vacío para probarlo; **caliente un (1) minuto en P10 (ALTA)**. Si el recipiente es apto para horno de microondas (transparente a la energía del horno de microondas), el recipiente vacío deberá mantenerse razonablemente frío y el agua debe estar caliente. Si el recipiente está caliente, significa que ha absorbido energía de microondas, y NO debe usarlo. Esta prueba no debe hacerse para recipientes de plástico.

Tablas y consejos

Esta tabla contiene diversos platillos y los valores óptimos para cocinarlos. Puede usar la tabla para identificar el tipo de programación del horno de microondas, el tipo de calor y la temperatura más adecuados para su platillo, y los accesorios que debe usar.

Descongelar, calentar y cocinar con el horno de microondas

Las siguientes tablas le proporcionan numerosas opciones y los valores de ajuste para el horno de microondas.

Los tiempos especificados en las tablas se incluyen a modo de referencia únicamente. La calidad, la temperatura y la consistencia de los alimentos pueden variar según los utensilios para horno utilizados.

A menudo, las tablas especifican los rangos de tiempos. Programe primero el tiempo más corto y luego extiéndalo si es necesario.

Es posible que tenga cantidades diferentes de las especificadas en las tablas. Puede aplicar una regla práctica:

Si duplica la cantidad, duplique el tiempo de cocción.

Si reduce la cantidad a la mitad, reduzca a la mitad el tiempo de cocción.

Coloque los utensilios para horno en el centro de la charola de cerámica. Los alimentos absorberán las microondas desde todos los costados.

Descongelar

- Coloque los alimentos congelados en un recipiente abierto sobre la charola de cerámica.
- Las partes delicadas como las patas o las alitas del pollo, o las partes grasosas externas de la carne para asado se pueden cubrir con un poco de papel de aluminio. El papel de aluminio no debe tocar las paredes del horno. Puede retirar el papel de aluminio cuando haya transcurrido la mitad del tiempo de descongelamiento.
- Dé vuelta los alimentos o revuélvalos una o dos veces durante el tiempo de descongelamiento. Los trozos grandes de alimentos deben darse vuelta varias veces. Delos vuelta para sacar el líquido que se produce por el descongelamiento.
- Deje reposar los alimentos descongelados a temperatura ambiente entre 10 minutos y 1 hora más para que se nivele la temperatura. Ahora puede retirar las menudencias de la carne de ave.

	Cantidad	Potencia	Tiempo de descongelamiento aprox.	Utensilios para horno	Consejos
Piezas enteras de carne, p. ej., carne de res, cerdo, ternera con o sin hueso	2 lb	P2 P1	14 min 15 - 20 min	recipiente plano	
Carne de res, cerdo o ternera en cubos o rebanadas	1 lb	P2 P1	6 min 11 - 16 min	recipiente plano	dela vuelta dos veces para remover las partes sueltas de carne
Mezcla de carne molida	1 lb	P2 P1	8 min 10 - 13 min	recipiente plano	dela vuelta una vez para remover las partes sueltas de carne
	2 lb	P2 P1	10 - 12 min 25 - 30 min	recipiente plano	dela vuelta dos veces para remover las partes sueltas de carne

	Cantidad	Potencia	Tiempo de descongelamiento aprox.	Utensilios para horno	Consejos
Carne de ave	2.6 lb	P2	23 - 27 min	recipiente plano	dela vuelta a la mitad del tiempo de cocción dela vuelta varias veces
	3.5 lb	P2 P1	20 - 26 min 25 - 30 min		
Porciones de carne de ave	1.8 lb	P2 P1	10 min 18 - 20 min	recipiente plano	delas vuelta varias veces
Filete de pescado, bistec de pescado, rebanadas de pescado	14 oz	P2 P1	5 - 7 min 12 - 17 min	recipiente plano	delos vuelta a la mitad del tiempo de cocción
	2 lb	P2 P1	4 - 6 min 18 - 22 min	recipiente plano	delos vuelta a la mitad del tiempo de cocción
2 pescados enteros	9 oz	P2 P1	4 min 12 - 16 min	recipiente plano	delos vuelta a la mitad del tiempo de cocción
Frutas, p. ej., frambuesas	9 oz	P2	6 - 8 min	recipiente plano	
	1 lb	P2 P1	6 - 8 min 9 - 12 min	recipiente plano	
Pan, hogaza entera	1 lb	P2 P1	3 min 4 - 8 min	bandeja giratoria	delo vuelta una vez
	2 lb	P2 P1	5 - 7 min 10 - 14 min	recipiente plano	delo vuelta una vez
Pasteles secos, p. ej., pasteles esponjosos	1 lb	P2 P1	3 min 5 - 10 min	bandeja giratoria	delos vuelta dos veces

Descongelar, calentar y cocinar alimentos congelados

Retire las comidas preelaboradas de su envase. Se calentarán más rápido y de forma más pareja si las coloca en recipientes aptos para horno de microondas. Las diferentes partes de los alimentos pueden calentarse en diferentes grados.

Los alimentos que se colocan horizontalmente se calientan más rápido que si se apilan verticalmente. Por lo tanto, conviene distribuir los alimentos en todo el recipiente. No debe apilar capas de alimentos.

Siempre cubra los alimentos. Si no tiene una tapa adecuada para su recipiente, use un plato o papel de aluminio especial para horno de microondas.

Debe revolver o dar vuelta los alimentos dos o tres veces durante el proceso de calentamiento.

Cuando haya calentado los alimentos, déjelos reposar durante 2 a 5 minutos para que se estabilice la temperatura.

El sabor de cada uno de los alimentos se conserva en gran medida. Por lo tanto, puede usar menos sal y especias.

	Cantidad	Potencia	Tiempo de cocción aprox.	Utensilios para horno	Consejos
Menú, comida de un plato, comida preelaborada en dos a tres partes	12 - 16 oz	P5	10 - 17 min	recipiente con tapa	dé vuelta/revuelva los alimentos si es necesario a la mitad del tiempo de cocción
Sopas	1 lb	P8	8 - 12 min	recipiente alto	revuelva a la mitad del tiempo de cocción
Estofados	1 lb	P8	8 - 10 min	recipiente con tapa	revuélvalos dos veces
	2 lb	P8	15 - 19 min		revuélvalos tres veces
Rebanadas o trozos de carne en salsa	1 lb	P8	7 - 10 min	recipiente con tapa	revuélvalos dos veces
	2 lb	P8	16 - 20 min		revuélvalos tres veces
Pescado, p. ej., filetes	14 oz	P6	11 - 13 min	recipiente plano con tapa	agregue 2 a 3 cdas. de agua
Guarnición, p. ej., arroz, fideos	6 oz	P6	3 - 6 min	recipiente plano con tapa	agregue 1 cda. de agua, revuelva una vez
	8 - 9 oz	P6	4 - 7 min		
Verduras, p. ej., chícharos, brócoli y zanahorias	10 - 11 oz	P6	9 - 13 min	recipiente alto con tapa	agregue 2 a 3 cdas. de agua, revuélvalas dos veces
	1.3 lb	P6	13 - 18 min		

Calentar alimentos

Retire las comidas preelaboradas de su envase. Se calentarán más rápido y de forma más pareja si las coloca en recipientes aptos para horno de microondas. Las diferentes partes de los alimentos pueden calentarse en diferentes grados.

Los líquidos, tales como el agua, el café o el té, pueden calentarse excesivamente. Pueden calentarse hasta pasar el punto de ebullición, sin que parezca que están hirviendo. Por ejemplo, no siempre se observan burbujas ni borbotones al retirar el recipiente del horno de microondas. **ESTO PUEDE HACER QUE ESTOS LÍQUIDOS MUY CALIENTES HIERVAN Y SE DESBORDEN REPENTINAMENTE AL MOVER EL RECIPIENTE O COLOCAR UN UTENSILIO DENTRO DEL LÍQUIDO.**



AVISO: Los líquidos calentados pueden hacer erupción si no se mezclan con aire. No caliente líquidos en su horno de microondas sin antes revolverlos. Cuando tardan en hervir, el líquido hierve sin hacer las típicas burbujas de vapor. Incluso si el recipiente vibra solo un poco, el líquido puede rebasar o salpicar al hervir. Esto puede causar lesiones y escaldaduras.

Siempre cubra los alimentos. Si no tiene una tapa adecuada para su recipiente, use un plato o papel de aluminio especial para horno de microondas.

Debe revolver o dar vuelta los alimentos varias veces durante el calentamiento. Controle la temperatura.

Cuando haya calentado los alimentos, déjelos reposar durante 2 a 5 minutos para que se estabilice la temperatura.

	Cantidad	Potencia	Tiempo de cocción aprox.	Utensilios para horno	Consejos
Menú completo, comida de un plato, comida lista para comer (2 a 3 componentes)	12 - 18 oz	P7	6 - 9 min	plato con tapa	
Bebidas	2 de 7 oz	P10	2 - 3 min	taza	
Estofados	1 lb 2 lb	P8 P8	5 - 8 min 9 - 13 min	recipiente alto con tapa	
Rebanadas o trozos de carne en salsa	1 lb 2 lb	P8 P8	5 - 7 min 8 - 12 min	recipiente alto con tapa	
Verduras precocidas, p. ej., chícharos, brócoli y zanahorias	5 oz. 10 - 11 oz	P6 P6	2 - 3 min 3 - 5 min	recipiente con tapa	agregue 1 cda. de agua agregue 2 a 3 cdas. de agua
Verduras enlatadas	10 - 14 oz	P6	3 - 6 min	recipiente alto con tapa	
Sopa	4 de 6 oz	P10	4 - 5 min	bol para sopa	

Cocinar alimentos

Siempre cocine los alimentos en recipientes con tapa. Debe revolver o dar vuelta los alimentos durante la cocción.

El sabor de cada uno de los alimentos se conserva en gran medida. Por lo tanto, puede usar menos sal y especias.

Los alimentos que se colocan horizontalmente se calientan más rápido que si se apilan verticalmente. Por lo tanto, conviene distribuir los alimentos en todo el recipiente. Si es posible, no debe apilar capas de alimentos.

Cuando haya cocinado los alimentos, déjelos reposar durante 2 a 5 minutos para que se establezca la temperatura.

Pescado y mariscos

Limpie el pescado antes de comenzar a preparar la receta. Acomode el pescado en una única capa; no superponga los bordes. Coloque las partes más gruesas hacia el borde del recipiente. Los camarones y los callos de hacha deben colocarse en una única capa.

Coloque el recipiente en la bandeja giratoria. Cubra el recipiente con una envoltura de plástico. Cocine en el nivel de potencia y durante el tiempo mínimo recomendado en el cuadro. A mitad de la cocción, reacomode, revuelva los camarones o callos de hacha, y dé vuelta los filetes de pescado. Deje reposar los alimentos cubiertos durante 5 minutos.

Verifique el grado de cocción antes de agregar más tiempo de cocción. El pescado y los mariscos deben tener un color opaco y se deben desmenuzar al hacer la prueba con un tenedor. Si todavía están crudos, vuelva a colocarlos en el horno y continúe cocinándolos durante 30 a 60 segundos.

	Cantidad	Potencia	Tiempo de cocción aprox.	Utensilios para horno	Consejos
Filetes de pescado	14 oz	P4	7 - 10 min	recipiente con tapa	agregue 1 a 3 cdas. de agua o jugo de limón
Camarones, tamaño medio, pelados y limpios	1 lb	P6	4 - 6 min	recipiente con tapa	agregue 1 cda. de agua o jugo de limón
Pescado entero, p. ej., trucha no rellena	1 lb 2 lb	P8 P8	5 - 8 min 9 - 13 min	recipiente alto con tapa	agregue 1 a 3 cdas. de agua o jugo de limón

Carne de ave

No se requieren técnicas especiales:

La carne de ave debe prepararse como en una cocina convencional. Condimente si es necesario.

La carne de ave debe descongelarse por completo. Retire las menudencias y las abrazaderas de metal.

Pinche la piel y pinte ligeramente con aceite vegetal (salvo que la carne ya esté adobada).

La carne de ave debe colocarse en un recipiente apto para horno de microondas con tapa y sobre una bandeja giratoria.

Cocine siguiendo las instrucciones de las recomendaciones para cocinar carne de ave que se detallan a continuación. Dé vuelta el pollo o la gallina de Cornualles enteros a la mitad del tiempo de cocción. Por su forma, la carne de ave suele cocinarse de manera dispareja, especialmente en las partes con mucho hueso. Dar vuelta la carne en forma periódica ayuda a cocinar estas áreas de manera pareja.

Deje reposar de 5 a 10 minutos. El tiempo de reposo es muy importante ya que completa el proceso de cocción.

Asegúrese de que la carne esté bien cocida antes de comerla. La carne está bien cocida cuando el jugo es transparente. Pinche con un cuchillo filoso en la parte más gruesa para asegurarse de que el jugo sea transparente y la carne esté firme.

Advertencia: Los tiempos indicados anteriormente se incluyen a modo de referencia únicamente. Pueden variar según los gustos y preferencias personales. Los tiempos también pueden variar debido a la forma, corte y composición de los alimentos.

Si la carne tiene relleno, para calcular el tiempo de cocción, debe usar el peso del ave rellena.

	Potencia	Tiempo de cocción aprox.	Utensilios para horno	Consejos
Pollo (hasta 4 lb)	P6	9 - 11 min/lb	recipiente con tapa	dele vuelta a la mitad del tiempo de cocción
Piezas de pollo (hasta 2½ lb)	P6	8 - 10 min/lb	recipiente con tapa	
Gallinas de Cornualles	P6	8 - 9 min/lb	recipiente con tapa	dele vuelta a la mitad del tiempo de cocción

**Instrucciones para cocinar
verduras frescas en horno de
microondas**

Los pesos del cuadro para verduras frescas indican el peso de compra una vez peladas y recortadas. Corte, rebane o recorte según las indicaciones del cuadro. Coloque las verduras en una cacerola. Agregue la cantidad de agua recomendada en el cuadro. Agregue sal después de la cocción.

Las verduras enteras, como las papas, deben pincharse con un tenedor varias veces antes de cocinarlas. Acomódelas en un recipiente apto para horno de microondas en el horno. Disponga las papas en forma circular en el recipiente. Cocine las papas sin taparlas.

Cubra con una tapa o con una envoltura de plástico. Cocine durante el tiempo recomendado en el cuadro.

Después de la cocción, revuelva las verduras. Deje reposar los alimentos y déjelos cubiertos antes de servir. Las verduras cortadas deben dejarse reposar durante 3 minutos. Las verduras enteras deben dejarse reposar durante 5 minutos.

	Cantidad	Potencia	Tiempo de cocción aprox.	Consejos
Alcachofas	2 de 8 - 12 oz	P5	11 - 14 min	agregue jugo de limón en el primer corte delas vuelta a la mitad del tiempo de cocción
	4 de 8 - 12 oz	P5	17 - 20 min	agregue 1 cda. de agua por cada 3.5 oz agregue 1 cda. de agua por cada 3.5 oz
Espárragos	1 lb	P6	10 - 15 min	agregue 1 cda. de agua por cada 3.5 oz delos vuelta cuando hayan transcurrido $\frac{1}{3}$ y $\frac{2}{3}$ del tiempo de cocción
Brócoli, en racimos	1 lb	P6	9 - 13 min	agregue 1 cda. de agua por cada 3.5 oz revuelva cuando hayan transcurrido $\frac{1}{3}$ y $\frac{2}{3}$ del tiempo de cocción
Colecitas de Bruselas	1 lb	P5	9 - 13 min	agregue 1 cda. de agua por cada 3.5 oz revuelva cuando hayan transcurrido $\frac{1}{3}$ y $\frac{2}{3}$ del tiempo de cocción
Coliflor, cabezuelas	1 lb	P6	12 - 17 min	agregue 1 cda. de agua por cada 3.5 oz revuelva cuando hayan transcurrido $\frac{1}{3}$ y $\frac{2}{3}$ del tiempo de cocción
Zanahorias, rodajas de $\frac{1}{4}$ pulgada de ancho	1 lb	P5	11 - 15 min	agregue 1 cda. de agua por cada 3.5 oz revuelva cuando hayan transcurrido $\frac{1}{3}$ y $\frac{2}{3}$ del tiempo de cocción
Zanahorias, baby	1 lb	P5	11 - 16 min	agregue 1 cda. de agua por cada 3.5 oz revuelva cuando hayan transcurrido $\frac{1}{3}$ y $\frac{2}{3}$ del tiempo de cocción
Elote, en mazorca	1 espiga	P7	4 - 7 min	agregue 2 cdas. de agua dela vuelta cuando hayan transcurrido $\frac{2}{3}$ del tiempo de cocción
	2 espigas	P7	8 - 12 min	agregue 2 cdas. de agua delas vuelta cuando hayan transcurrido $\frac{2}{3}$ del tiempo de cocción
	4 espigas	P7	15 - 19 min	agregue $\frac{1}{4}$ de taza de agua delas vuelta cuando hayan transcurrido $\frac{2}{3}$ del tiempo de cocción

	Cantidad	Potencia	Tiempo de cocción aprox.	Consejos
Papas blancas	1 de 9 - 10.5 oz	P7	7 - 8 min	humedézcalas
	2 de 9 - 10.5 oz	P7	10 - 12 min	delas vuelta a la mitad del tiempo de cocción
	4 de 9 - 10.5 oz	P7	14 - 15 min	
Zucchini, rodajas de ¼ pulgada de ancho	1 lb	P5	8 - 12 min	agregue 1 cda. de agua por cada 3.5 oz revuelva cuando hayan transcurrido ⅓ y ⅔ del tiempo de cocción
Hojas de espinaca	1 lb	P5	9 - 12 min	agregue 1 cda. de agua por cada 3.5 oz revuelva cuando hayan transcurrido ⅓ y ⅔ del tiempo de cocción
Calabaza, mitades colocadas boca abajo en el recipiente	1.0 - 1.2 lb	P8	8 - 12 min	agregue 2 cdas. de agua

Instrucciones para cocinar arroz y cereales

El arroz y los cereales hacen mucha espuma durante la cocción. Por lo tanto, use un recipiente alto.

Solo se debe cubrir el arroz durante el proceso de cocción.

Deje reposar el arroz durante 5 a 10 minutos antes de servir.

Deje reposar los cereales durante 2 a 5 minutos antes de servir.

		Potencia	Tiempo de cocción aprox.	Consejos
Arroz	Arroz integral 1 taza	P10	6 - 7½ min	agregue 2 tazas de agua fría revuelva después del paso uno y antes del tiempo de reposo
		P2	25 - 30 min	
	Grano largo 1 taza	P10	6 - 7½ min	agregue 2 tazas de agua fría revuelva después del paso uno y antes del tiempo de reposo
		P2	14 - 18 min	
	Grano corto (risotto) 1 taza	P10	6 - 8 min	agregue 2½ tazas de agua fría revuelva después del paso uno y antes del tiempo de reposo
		P2	13 - 18 min	
Cereales, crema de trigo 2½ min de tiempo de cocción	1 porción 3 cdas.	P10	2 - 3 min	agregue ¾ de taza de leche fría revuelva cuando hayan transcurrido 1½ min y en cada intervalo del mismo tiempo
	2 porciones 6 cdas.	P10	3 - 4½ min	agregue 1½ taza de leche fría revuelva cuando hayan transcurrido 2½ min y en cada intervalo del mismo tiempo
	4 porciones ¾ de taza	P10	7 - 8 min	agregue 3 tazas de leche fría revuelva cuando hayan transcurrido 3½ min y en cada intervalo del mismo tiempo
Harina de avena	1 porción ⅓ de taza	P9	2 - 3 min	agregue ¾ de taza de agua fría, revuelva dos veces agregue 1½ tazas de agua fría, revuelva dos veces agregue 3 tazas de agua fría, revuelva dos veces
	2 porciones ⅔ de taza	P9	3 - 4 min	
	4 porciones 1½ de taza	P9	6 - 7 min	

Cuadro para hornear pasteles y mezclas para galletas

Prepare la masa siguiendo las indicaciones del envase.

Advertencia: Para hornear dos capas de 8 ó 9 pulgadas, cada capa debe hornearse por separado. Coloque el rack del horno en la charola de cerámica. Precaliente el horno a la temperatura indicada en el cuadro. Coloque el molde en el rack del horno.

Para molde de mantecadas o muffins con vasitos de metal o papel para hornear. Llene $\frac{2}{3}$ del molde.

Engrase y/o enharine los moldes para pastel de aluminio y/o engrase las placas para galletas siguiendo las indicaciones del envase. Hornee durante los tiempos recomendados en el cuadro. Para verificar el grado de cocción, inserte un palillo; este debe salir limpio. Deje enfriar en el rack para pastel según las indicaciones del envase. Retire el pastel del recipiente y deje enfriar por completo.

Siempre precaliente el horno.

Verifique el grado de cocción cuando haya transcurrido el tiempo de cocción mínimo indicado en el envase.

	Accesorio	Programación	Temperatura del horno
Mezcla para brownies 14.1 - 23.6 oz		horneado por convección	325 °F
Mezcla para pastel Bundt 22.5 - 29.75 oz		horneado por convección	reducir 25 °F de la temperatura indicada en el envase
Mezcla para pastel de caja 18.25 - 20.25 oz	Budinera acanalada Budinera con tubo Mantecadas Molde para pastel de 9 pulgadas amarillo y de todo los sabores	horneado por convección	reducir 50 °F de la temperatura indicada en el envase
Masa para galletas refrigerada 15 - 27 oz		horneado por convección	325 °F
Mezcla para galletas de caja 14 - 36 oz		horneado por convección	300 °F

Verifique que los recipientes cumplan con las normas EN 60705, IEC 60705

La calidad y el funcionamiento de los dispositivos combinados de microondas son examinados por instituciones de inspección utilizando estos recipientes.

Descongelar con el horno de microondas

Recipiente	Potencia del horno de microondas, tiempo de cocción en minutos	Nota
Carne molida	P2 7 - 8 min	Coloque el Pyrex de 22 cm de diámetro sobre la bandeja giratoria.
	P1 13 - 15 min	

Cocinar con el horno de microondas

Recipiente	Potencia del horno de microondas, tiempo de cocción en minutos	Nota
Natillas	P3 25 - 30 min	Coloque el Pyrex sobre la bandeja giratoria.
Pastel esponjoso	P6 8 - 10 min	Coloque el Pyrex de 22 cm de diámetro sobre la bandeja giratoria.
Pan de carne	P6 18 - 23 min	Coloque el Pyrex sobre la bandeja giratoria.

Limpieza y mantenimiento

Cuidado y limpieza de su horno de microondas

ATENCIÓN: Es importante mantener el horno limpio y seco. Los residuos de alimentos y la condensación pueden oxidar o producir arcos eléctricos y dañar el horno. Después de usarlo, seque todas las superficies, incluidas las aberturas de ventilación, las uniones del horno, y debajo de la charola de cerámica.

Antes de la limpieza

Desenchufe el horno de la toma de corriente de la pared. Si la toma de corriente se encuentra en un lugar inaccesible, deje la puerta del horno abierta mientras lo limpia. Asegúrese de que las piezas estén frías.

Después de la limpieza

Asegúrese de colocar el anillo giratorio y la charola de cerámica en su posición correcta y presione el botón Pause/Stop para borrar la pantalla.

Interior del horno

Limpie el interior del horno con un paño húmedo después de usarlo. Si es necesario, puede usar un detergente suave. No use detergentes agresivos ni abrasivos.

El interior del horno es de acero inoxidable. Para eliminar la suciedad que queda pegada después de hornear, limpie las salpicaduras de los alimentos o los líquidos derramados de inmediato. Para la suciedad difícil de eliminar, use un detergente suave, un limpiador o spray no abrasivo junto con un limpiador multiuso, y seque la superficie. No use detergentes agresivos ni limpiadores abrasivos en ninguna de las superficies del horno. Puede usar esponjillas de plástico.

Para ayudarlo a remover la suciedad antes de limpiar el horno, caliente 500 ml (2 tazas) de agua en un recipiente para medir de vidrio de 1 L (4 tazas) en potencia Alta durante 5 minutos o hasta que hierva.

Nota: No use limpiadores para hornos en la parte superior del horno.

Superficies externas del horno

Limpie las superficies con un paño húmedo. Para evitar dañar las piezas operativas del interior del horno, debe evitar que entre agua en las aberturas de ventilación.

Esto hará que salga vapor al cocinar los alimentos y que se acumule en las paredes y en la puerta del horno. Durante condiciones de alta humedad, es posible que se produzca vapor en el exterior del horno; esto no significa que haya una falla. Seque con un paño suave.

Puerta del horno

Limpie la puerta del horno con un paño suave y seco cuando el vapor se acumule dentro o alrededor del exterior de la puerta del horno. Durante la cocción, especialmente en condiciones de alta humedad, sale vapor de los alimentos. (Es probable que el vapor se condense en superficies más frías, como en la puerta del horno). Esto es normal.

Panel de control

Si el panel de control se moja, límpielo con un paño suave y seco. No use detergentes agresivos ni abrasivos.

El panel de control está cubierto con una película de protección desmontable para evitar que se raye durante el transporte. Pueden aparecer pequeñas burbujas bajo esta película. (Consejo: para quitar la película, pegue cinta de enmascarar o cinta transparente en una esquina expuesta y jale suavemente).

Al limpiar el panel de control, deje la puerta del horno abierta para evitar que el horno se encienda accidentalmente. Después de limpiarlo, presione el botón Pause/Stop para volver a exhibir la hora del día.

Charola de cerámica

Retírela y lávela con agua tibia jabonosa o en un lavavajillas.

Accesorios del horno

Los accesorios del horno pueden lavarse en agua jabonosa tibia, en un lavavajillas, o puede limpiarlos con esponjillas de plástico.

La limpieza diaria evitará la acumulación de olores y suciedad.

Anillo giratorio y piso de la cavidad del horno

Limpie la superficie inferior del horno con agua y detergente suave o con limpiador para ventanas, y séquela. El anillo giratorio puede lavarse con agua y jabón suave o en un lavavajillas. Estas áreas deben mantenerse limpias para evitar el ruido excesivo.

Con el uso repetido se acumulan vapores de la cocción, pero esto no afecta la superficie inferior ni las ruedas del anillo giratorio. Al retirar el anillo giratorio del piso de la cavidad para limpiarlo, asegúrese de volver a colocarlo en la posición correcta.

Mantenimiento

Antes de solicitar servicio técnico

Las siguientes situaciones son normales:

El horno produce interferencia con mi TV.

- Es probable que se produzca un poco de interferencia con la radio y la TV al cocinar con el horno de microondas. Esta interferencia es similar a la interferencia producida por electrodomésticos pequeños como: batidoras, aspiradoras, secadoras de pelo, etc. Esto no significa que el horno tenga algún problema.

Se acumula vapor en la puerta del horno y sale aire tibio de las aberturas de ventilación del horno.

- Durante la cocción, sale vapor y aire tibio de los alimentos. El aire que circula por la cavidad del horno elimina del horno la mayor parte del vapor y del aire caliente. Sin embargo, es probable que un poco de vapor se condense en superficies más frías, como la puerta del horno. Esto es normal. Debe secar el horno después de usarlo.

El horno tiene olor y produce humo al usar la función Hornear.

- Es sumamente importante que limpie el horno con frecuencia, en especial, después de cocinar. Toda la grasa y el aceite que se acumula en el techo y las paredes del horno comienza a producir humo si no se limpia.

Problema	Causa posible	Solución
El horno no se enciende.	El horno no está bien enchufado.	Retire el enchufe de la toma de corriente, espere 10 segundos y vuelva a enchufarlo.
	El disyuntor o el fusible está desenganchado o fundido.	Re programe el disyuntor o cambie el fusible.
	Hay un problema con la toma de corriente.	Enchufe otro electrodoméstico en la toma de corriente para verificar si funciona.
El horno no comienza a cocinar.	La puerta no está cerrada por completo.	Cierre bien la puerta del horno.
	No presionó el botón Start después de programar el horno.	Presione el botón Start .
	Hay otro programa ya ingresado en el horno.	Presione el botón Pause/Stop para cancelar el programa anterior y prográmelo nuevamente.
	No se ingresó correctamente un nuevo programa.	Prográmelo nuevamente según las Instrucciones de operación.
	Se presionó accidentalmente el botón Pause/Stop .	Programe el horno nuevamente.
La charola de cerámica se bambolea.	La charola de cerámica no está bien colocada sobre el anillo giratorio o hay alimentos debajo del anillo giratorio.	Retire la charola de cerámica y el anillo giratorio. Limpie el anillo giratorio y la charola de cerámica con un paño húmedo y vuelva a colocarlos correctamente.
Cuando el horno está en funcionamiento, se escucha un ruido proveniente de la charola de cerámica.	El anillo giratorio y la parte inferior del horno están sucios.	Limpie estas piezas según las instrucciones de Cuidado y limpieza de su horno de microondas .
Aparece la palabra "LOCK" en la ventana de presentación.	Se activó el BLOQUEO PARA NIÑOS.	Consulte la sección Valores .

Servicio técnico

Registro del usuario

El número de serie de este producto se encuentra del lado izquierdo del panel de control. Debe anotar el número de modelo y el número de FD No./No FD de este horno en el espacio proporcionado y conservar este libro como registro permanente de su compra para referencia futura.

N.º de modelo _____

FD No./No FD _____

Fecha de compra _____

Especificaciones

Fuente de alimentación eléctrica		120 V, 60 Hz
Consumo de energía	Horno de microondas Calefactor	1.450 W 1.500 W
Salida:	Horno de microondas* Calentador	1.000 W 1.400 W
Dimensiones externas (H x A x P)		14 ¹³ / ₁₆ " x 23 ⁷ / ₈ " x 19 ⁵ / ₁₆ " 376 mm x 606 mm x 491 mm
Dimensiones de la cavidad del horno (H x A x P)		9 ¹ / ₂ " x 16 ¹ / ₄ " x 16 ¹³ / ₁₆ " 242 mm x 412 mm x 426 mm
Frecuencia de operación		2.450 MHz
Peso neto		Aprox. 48 lb (22 kg)
Conjunto de moldura de 27"	HMT7750 HMT7760 HMT7720	para HMB7050 (Inoxidable) para HMB7060 (Negro) para HMB7020 (Blanco)
Conjunto de moldura de 30"	HMT7750 HMT7760 HMT7720	para HMB7050 (Inoxidable) para HMB7060 (Negro) para HMB7020 (Blanco)

* Procedimiento de prueba de la Comisión Electrotécnica Internacional (International Electrotechnical Commission, IEC) Especificaciones sujetas a cambios sin previo aviso.

Garantía

Garantía total por un año

Cubre un año a partir de la fecha de instalación o de la fecha de ocupación de una vivienda nueva, que no haya estado ocupada previamente. Conserve su recibo fechado o cualquier otro comprobante de la fecha de instalación/ocupación.

Pagaremos:

Todas las piezas de reparación o repuesto que estén defectuosas debido a los materiales o la mano de obra.

El servicio técnico debe ser brindado por una Agencia de Servicio Técnico Autorizada por la Fábrica durante el horario normal de trabajo. Para conocer cuál es la Agencia de Servicio Técnico más cercana a su domicilio, llame al 800-944-2904.

No pagaremos:

- El servicio técnico brindado por una agencia no autorizada. Los daños o las reparaciones del servicio técnico brindado por una agencia no autorizada o el uso de piezas no autorizadas.
- Las visitas del servicio técnico para:
 - a) Enseñarle cómo usar el electrodoméstico.
 - b) Corregir los defectos o reparaciones ocasionados por la instalación incorrecta. Usted es responsable de proporcionar el cableado eléctrico y demás instalaciones de conexión.
- Reponer disyuntores o reemplazar fusibles domésticos.
- Los daños ocasionados por accidente, alteración, uso indebido, abuso, instalación incorrecta o instalación no conforme a los códigos de electricidad o plomería locales, o almacenamiento incorrecto del electrodoméstico.
- Los trabajos de servicio técnico durante el período de garantía limitada.
- Los viáticos y cargos asociados en que se incurra cuando el producto esté instalado en un lugar con acceso limitado o restringido (es decir, vuelos en avión, tarifas de ferry, regiones geográficas aisladas).
- Reparaciones requeridas debido a uso distinto del uso doméstico normal.

Información general

Esta garantía se aplica a los electrodomésticos utilizados en aplicaciones residenciales; no cubre su uso en instalaciones comerciales.

La garantía cubre productos comprados y mantenidos dentro de los 50 estados de los Estados Unidos de América, el Distrito de Columbia y Canadá. Si el comprador original vende el electrodoméstico durante el período de garantía, el nuevo comprador seguirá contando con la protección de la garantía hasta la fecha de vencimiento del período de garantía del comprador original.

Los productos que se usarán en Canadá deben comprarse a través del canal de distribución de Canadá para asegurar el cumplimiento de las reglamentaciones y la cobertura de la garantía.

Esta garantía le otorga derechos legales específicos. También pueden corresponderle otros derechos que pueden variar según el estado.



5551 McFadden Ave. Huntington Beach, CA 92649 • 800-921-9622 •
www.boschappliances.com • © BSH Home Appliances Corporation